

SIDE GUIDE ROLLER



BELTING LTD



Designed with a smooth conical surface that rotates as the conveyor belt becomes misaligned from the center line, the Side Guide Roller provides protection to conveyor framework as well as providing training action to the conveyor belt.

FEATURES AND BENEFITS

- Prevents belts from cutting conveyor framework adjustable drop length, 3.5" or 5.5"
- Slotted footpad eases installation and allows adjustment
- 11" diameter guide plate provides a large rotating surface keeping belt from contacting framework

Assembly part #IBL-SGR-1-A



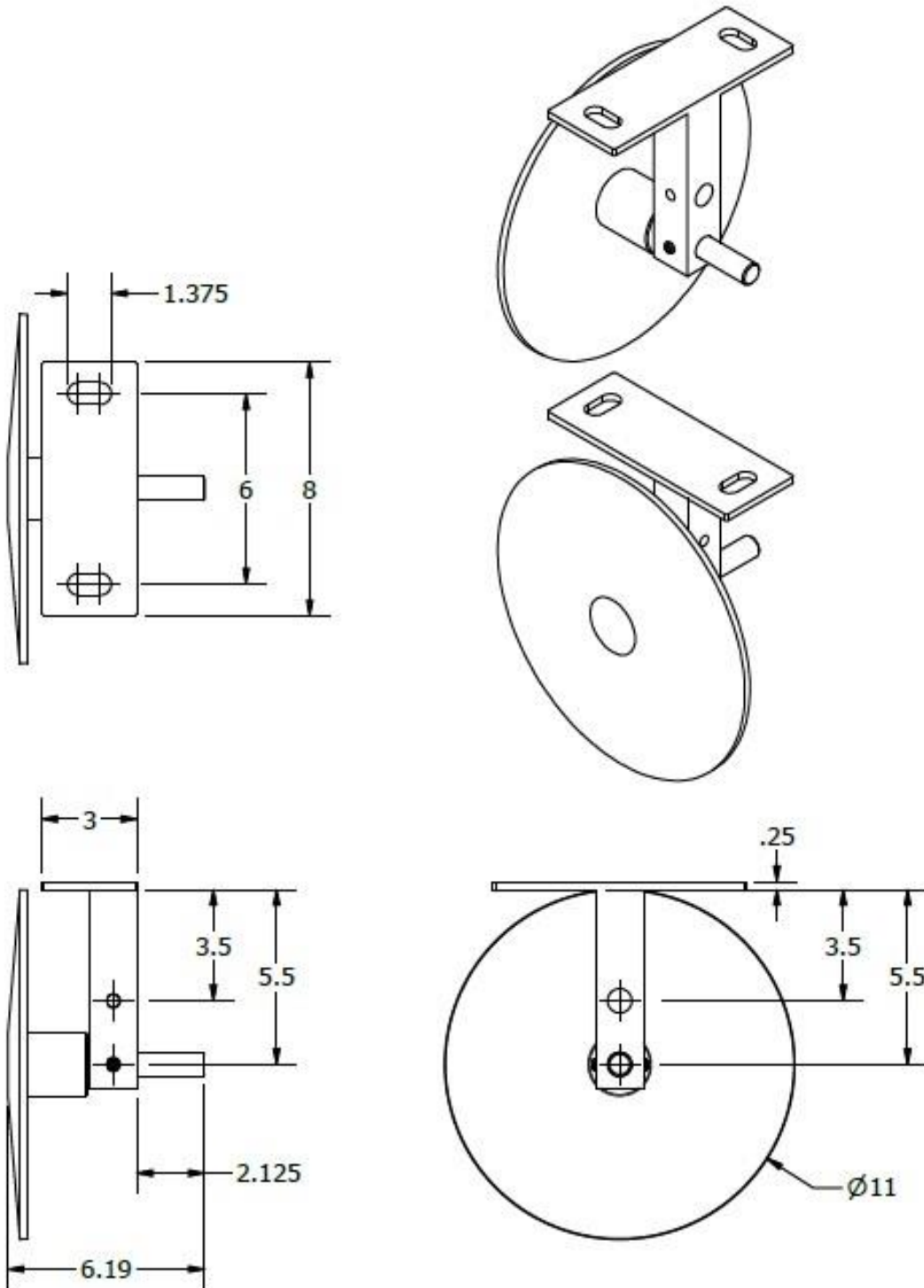
www.infinitybelting.com

Product shown are for illustrative purposes only and may display optional accessories or components. Please contact Infinity Belting Ltd for more information on product specifications. Please note that changes in engineering, design and specifications; add improvements; or discontinue manufacturing at any time without notice can occur however Infinity Belting Ltd will endeavor to offer a similar or superior option whenever possible.

SIDE GUIDE ROLLER

INFINITY

BELTING LTD



www.infinitybelting.com

Product shown are for illustrative purposes only and may display optional accessories or components. Please contact Infinity Belting Ltd for more information on product specifications. Please note that changes in engineering, design and specifications; add improvements; or discontinue manufacturing at any time without notice can occur however Infinity Belting Ltd will endeavor to offer a similar or superior option whenever possible.