

ISOMETRIC VIEWS

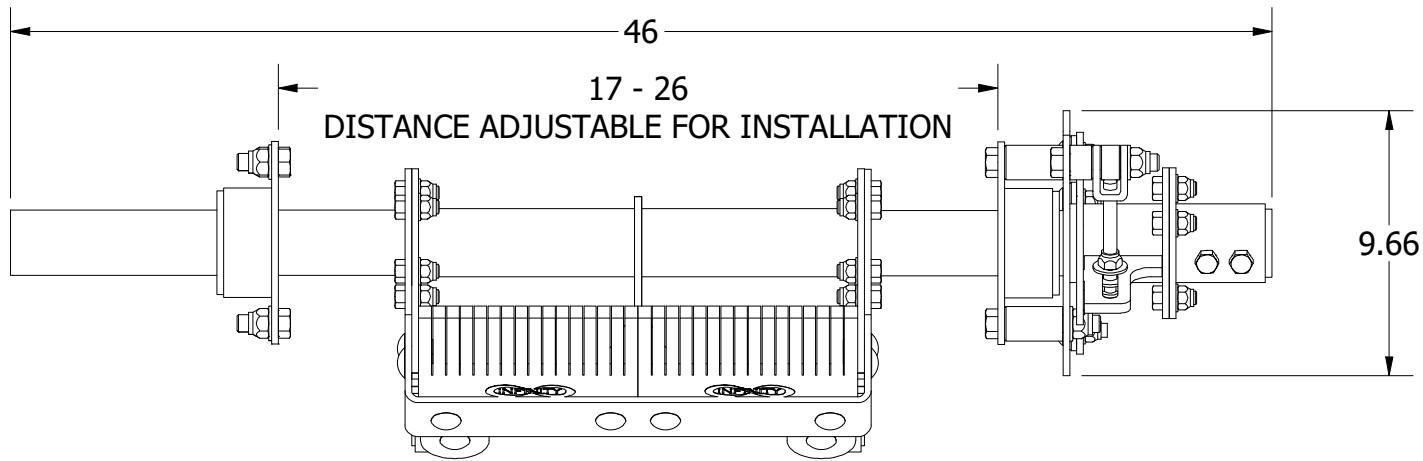
THE INFORMATION CONTAINED WITHIN THIS DOCUMENT(S) IS THE PROPERTY OF INFINITY BELTING LTD. NO REPRODUCTION IS AUTHORIZED WITHOUT WRITTEN PERMISSION FROM INFINITY BELTING LTD.



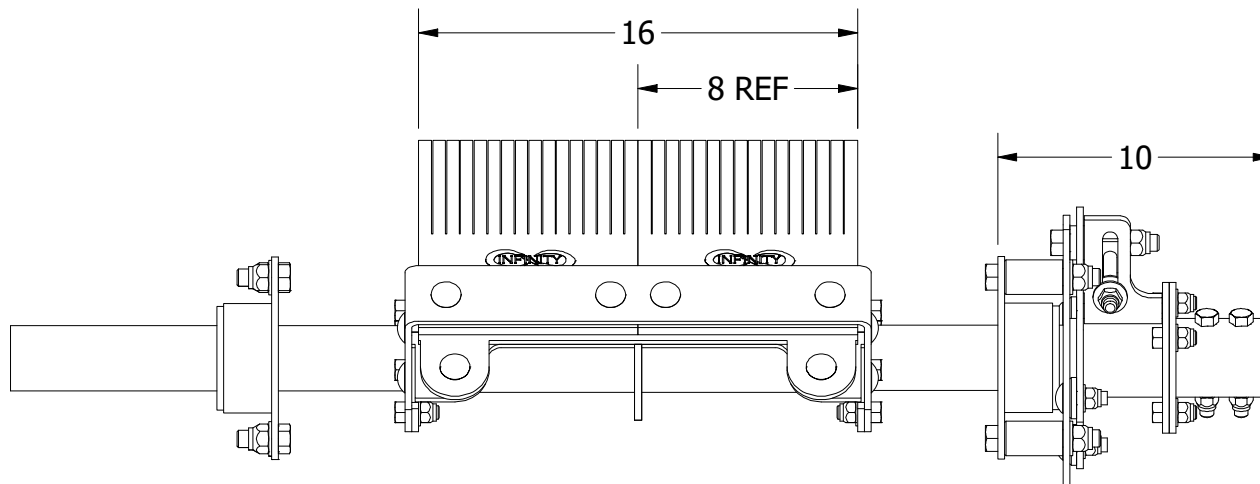
17 Goertz Ave
Stony Plain, Alberta
Canada T7Z0H6

ELECTRONIC FILES TO BE SUPPLIED

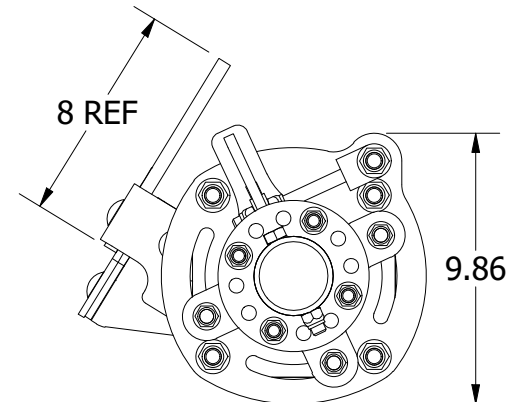
Client:	Designed By:	Title:			UNLESS OTHERWISE SPECIFIED	THIRD ANGLE PROJECTION			
	SP	SCRAPER, 16" PRIMARY			TOLERANCES: ZERO PLACE DECIMAL 0.060", TWO PLACE DECIMAL 0.040" THREE PLACE DECIMAL 0.010" ANGULAR 1°				
Part Number:	Drawn By:	Reviewed:	Scale:	Date:					
IBL-16-PS-A	SP	SF/AS	1 : 6.5	2022.06.18					
P.O.:	DIMS:	Mfg Approved:	Mfg Date:	Sheet:	Reference Drawing:				
	in	TBA	TO BE ASSIGNED	1 of 2					REV B



TOP VIEW



FRONT VIEW



SIDE VIEW

THE INFORMATION CONTAINED WITHIN THIS DOCUMENT(S) IS THE PROPERTY OF INFINITY BELTING LTD. NO REPRODUCTION IS AUTHORIZED WITHOUT WRITTEN PERMISSION FROM INFINITY BELTING LTD.

ELECTRONIC FILES TO BE SUPPLIED

Client:

Part Number:
IBL-16-PS-A

P.O.:

Designed By:
SP

Drawn By:
SP

DIMS:
in

Title:
DIMENSIONS, OVERALL

Reviewed:
SF/AS

Mfg Approved:
TBA

Scale:
1 : 7

Date:
2022.06.18

Mfg Date:
TO BE ASSIGNED

UNLESS OTHERWISE SPECIFIED	THIRD ANGLE PROJECTION			
TOLERANCES: ZERO PLACE DECIMAL 0.060", TWO PLACE DECIMAL 0.040" THREE PLACE DECIMAL 0.010" ANGULAR 1°				
Reference Drawing:				
Sheet:	2 of 2	REV	B	



17 Goertz Ave
Stony Plain, Alberta
Canada T7Z0H6