

ISOMETRIC VIEWS

THE INFORMATION CONTAINED WITHIN THIS DOCUMENT(S) IS THE PROPERTY OF INFINITY BELTING LTD. NO REPRODUCTION IS AUTHORIZED WITHOUT WRITTEN PERMISSION FROM INFINITY BELTING LTD.

ELECTRONIC FILES TO BE SUPPLIED



17 Goertz Ave
Stony Plain, Alberta
Canada T7Z0H6

Client:
Part Number:
P.O:

IBL-PC-16-A

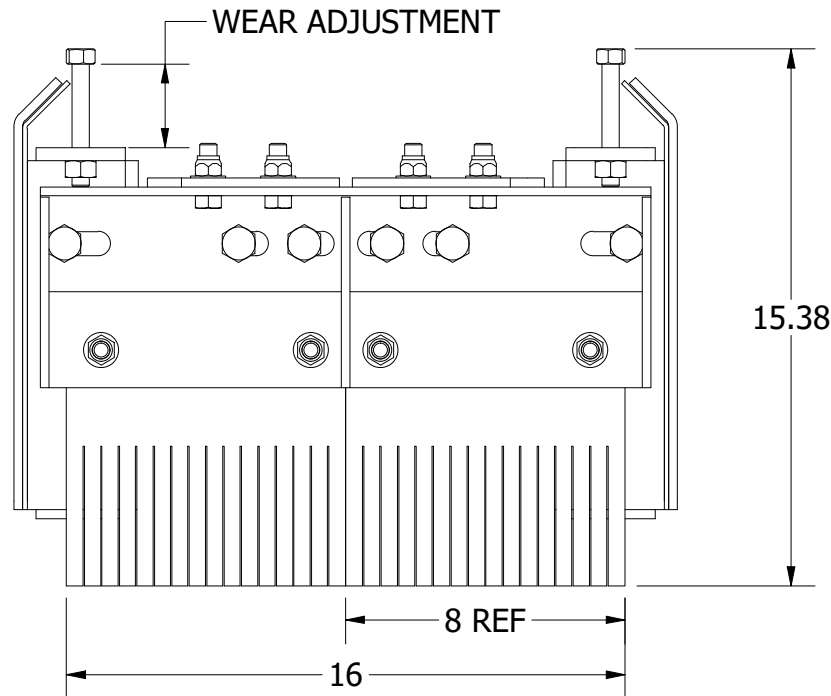
Designed By:
Drawn By:
DIMS:

SP

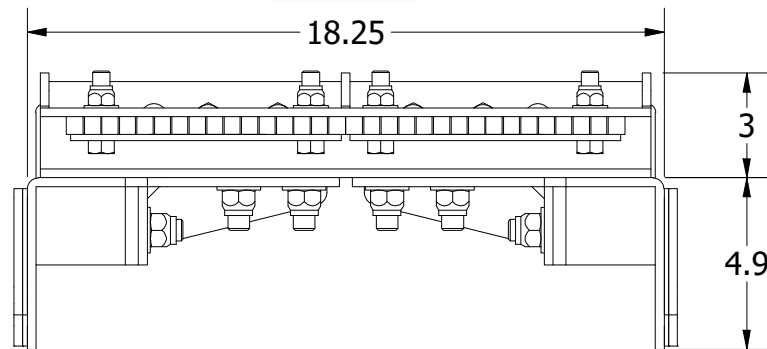
SP

inch

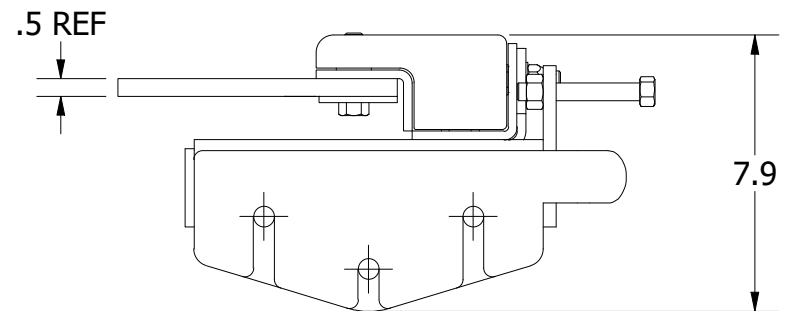
UNLESS OTHERWISE SPECIFIED		THIRD ANGLE PROJECTION			
TOLERANCES: ZERO PLACE DECIMAL 0.060", TWO PLACE DECIMAL 0.040" THREE PLACE DECIMAL 0.010" ANGULAR 1°					
Title: CLEANER, PULLEY		Reviewed: AS/SF	Scale: 1 : 4.25	Date: 2022.03.28	
Mfg Approved: TBA		Mfg Date: TBA	Reference Drawing:		
Sheet: 1 of 2		REV A			



TOP VIEW



FRONT VIEW



SIDE VIEW

UNLESS OTHERWISE SPECIFIED		THIRD ANGLE PROJECTION				
TOLERANCES: ZERO PLACE DECIMAL 0.060", TWO PLACE DECIMAL 0.040" THREE PLACE DECIMAL 0.010" ANGULAR 1°						
Client:		Designed By:		Title:		
		SP		CLEANER, PULLEY		
Part Number:		Drawn By:		Reviewed:	Scale:	Date:
IBL-PC-16-A		SP		AS/SF	1 : 5.5	2022.03.28
P.O.:		DIMS:		Mfg Approved:		Mfg Date:
		inch		TBA		TBA
Reference Drawing:					Sheet:	REV
					2 of 2	A

THE INFORMATION CONTAINED WITHIN THIS DOCUMENT(S) IS THE PROPERTY OF INFINITY BELTING LTD. NO REPRODUCTION IS AUTHORIZED WITHOUT WRITTEN PERMISSION FROM INFINITY BELTING LTD.

ELECTRONIC FILES TO BE SUPPLIED



17 Goertz Ave
Stony Plain, Alberta
Canada T7Z0H6