

THE INFORMATION CONTAINED WITHIN THIS DOCUMENT(S) IS THE PROPERTY OF INFINITY BELTING LTD. NO REPRODUCTION IS AUTHORIZED WITHOUT WRITTEN PERMISSION FROM INFINITY BELTING LTD.



17 Goertz Ave
Stony Plain, Alberta
Canada T7Z0H6

ELECTRONIC FILES TO BE SUPPLIED

Client:

Design By:
SP

Title:
SCRAPER, 48" PRIMARY

Part Number:
IBL-48-PS-A

Drawn By:
SP

Reviewed:
SF/AS

Scale:
1 : 8

Date:
2022.06.18

P.O:

DIMS:
in

Mfg Approved:
TBA

Mfg Date:
TO BE ASSIGNED

Sheet:
1 of 2

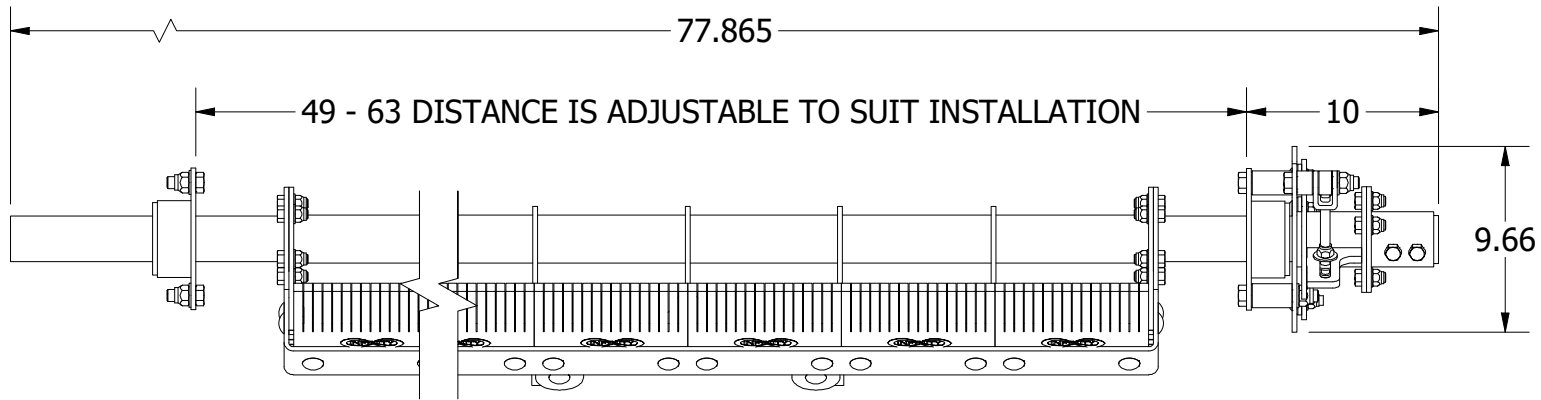
REV
B

UNLESS OTHERWISE SPECIFIED

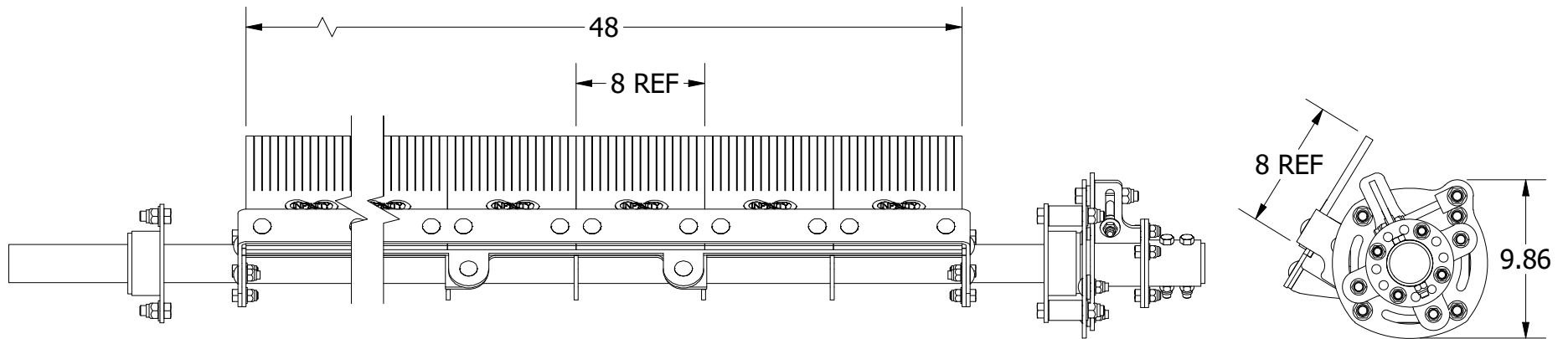
THIRD ANGLE PROJECTION

TOLERANCES:
ZERO PLACE DECIMAL 0.060", TWO PLACE DECIMAL 0.040"
THREE PLACE DECIMAL 0.010"
ANGULAR 1°

Reference Drawing:



TOP VIEW



FRONT VIEW

SIDE VIEW

UNLESS OTHERWISE SPECIFIED THIRD ANGLE PROJECTION

TOLERANCES:
 ZERO PLACE DECIMAL 0.060"
 TWO PLACE DECIMAL 0.040"
 THREE PLACE DECIMAL 0.010"
 ANGULAR 1°

THE INFORMATION CONTAINED WITHIN THIS DOCUMENT(S) IS THE PROPERTY OF INFINITY BELTING LTD. NO REPRODUCTION IS AUTHORIZED WITHOUT WRITTEN PERMISSION FROM INFINITY BELTING LTD.

ELECTRONIC FILES TO BE SUPPLIED

Client:	Design By: SP	Title: DIMENSIONS, OVERALL					
Part Number: IBL-48-PS-A	Drawn By: SP	Reviewed: SF/AS	Scale: 1 : 10	Date: 2022.06.18			
P.O.:	DIMS: in	Mfg Approved: TBA	Mfg Date: TO BE ASSIGNED	Sheet: 2 of 2	Reference Drawing:		REV B



17 Goertz Ave
 Stony Plain, Alberta
 Canada T7Z0H6