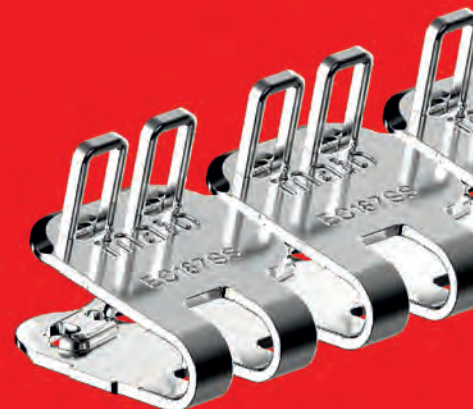


Belt Maintenance Equipment - Belt Lacing <math><750\text{kN/m}</math>



Catalogue 2021-LD

mato

mato



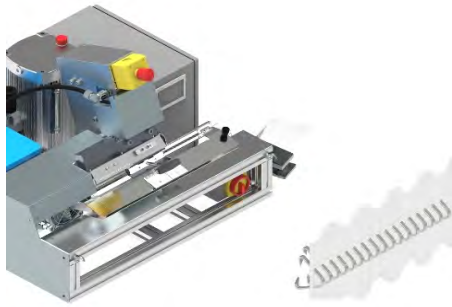
MATO GmbH & Co KG, Main Production Facility and Administration Headquarters, Mühlheim a.M., Germany

Table of Contents

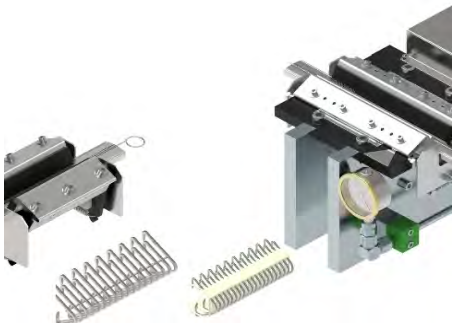
Belt Lacing Systems for Light Tensile Conveyor Belts



High Performance Plate Fasteners U24 and Accessories	3
High Performance Plate Fasteners H24 and Accessories	7
Accessories for Systems U24 / H24, MATO Bond, Belt repair 2 Component PU Systems	11
Connecting Pins for Systems U24 / H24	14



PATCH-Fastener Series M50-P and M60-P for laundry Industry (cut to length)	16
Low Profile Fastener Series M50, M60 (without PATCH) for laundry Industry (cut to length)	16
Installation Tools and Accessories for PATCH-Fasteners	22
Accessories and Connecting Pins	25



Low Profile Fastener Series M50, M60, M70	34
Round Wire Fastener Series R70, R80, and R20, R30	36
Installation Tools and Accessories for Low Profile and Round Wire Fasteners	40
Connecting Pins for Low Profile and Round Wire Fasteners	45

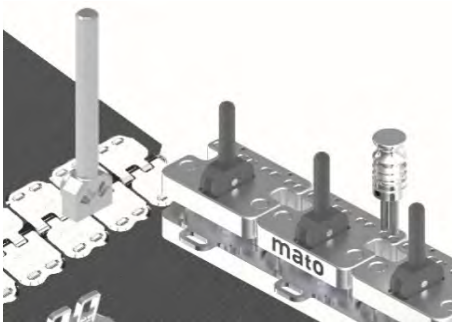


Plate Fasteners EasyClip	47
Accessories and Connecting Pins for System EasyClip	54
Hammer Installed Fasteners D70, D80	61
Hammer Installed Fasteners S80	63

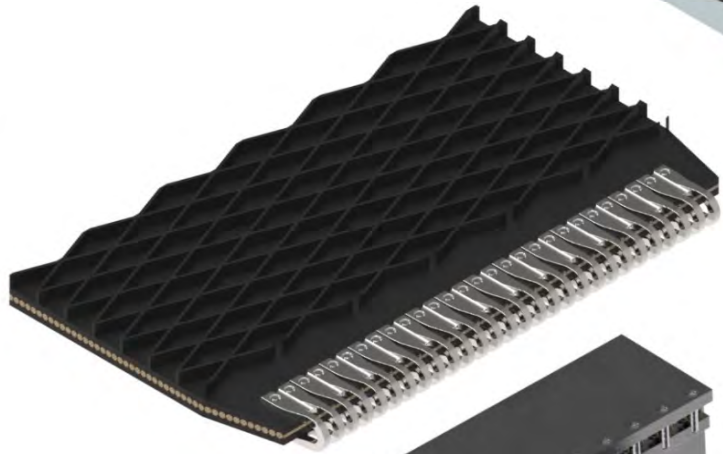


Spiral Fasteners Y (Non-metallic)	64
Connecting Pins for Spiral Fasteners Y	66

1,2,3.. §... Abc.....§....	Order Number Index, Terms & Conditions, General Remarks	67
-----------------------------------	---	----

Please Note : Pictures may differ from original product.

mato

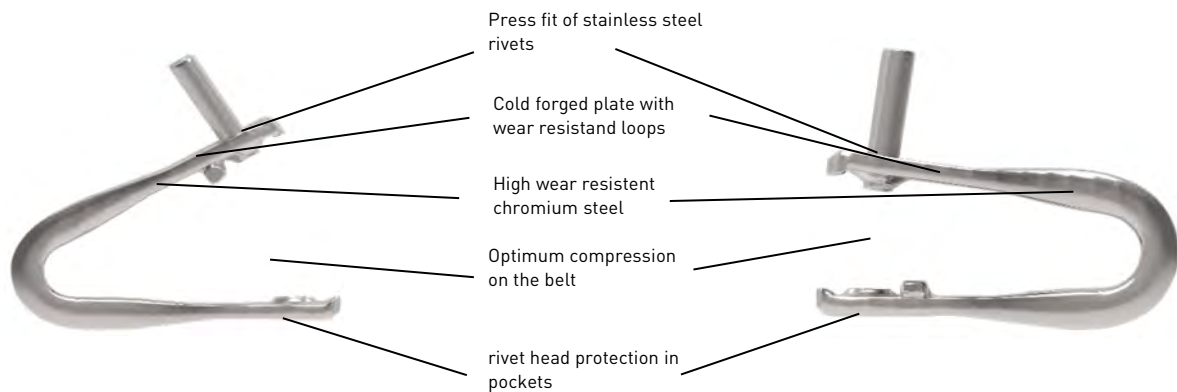


The High Performance Fasteners U24 and H24 have been developed for very high wear applications such as spliced belts used in Round Balers. They are proven to be the highest performing splice on the market due to high strength and long splice life and will perform equally well in other applications.

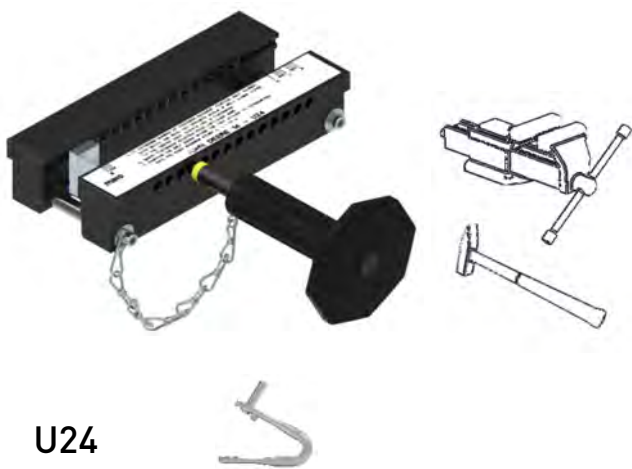
Note:

The U24 fastener is suitable for belts in the range of 4 - 7 mm thickness.

The H24 fastener is only suitable for belts in the range of 5 - 6 mm thickness.



The U24 is installed in the belt using a vice lacer and the H24 is installed using a hammer lacer. The MATO fastener features resulting in high durability are highlighted below. The method of installation of the U24 and H24 fasteners are two separate systems described below.



U24

High Performance Fastener U24 (Vice installation with Vice Lacer)

The U24 fastener is designed specially to be installed with a vice tool as seen above.

The rivets can be installed using a hammer and hand punch or alternatively with a pneumatic hammer and punch.

For volume lacing a pneumatic-hydraulic Vice Lacer (Power-Vice 25) is available. For even higher volume lacing an automatic state of the art electro hydraulic (HEM) lacing machine is available.






H24


High Performance Fastener H24 (Hammer Lacer is required)

With this system there is no requirement for a vice at the work place. The MATO hammer lacer just requires a flat level base for installation. The fasteners are slightly pre-bent for ease of installation.


The lacer can be used for multi step lacing for wider belts or alternatively the hammer lacer is offered in different widths.

Belt Width mm	Description	Order No.	PU	kg	
Belt Fastener U24AS, without Connecting Pin					
Belt thickness 4.0-5.0					
188-198	U24AS/12-15	41 114 24 05	12	0.9	
221-231	U24AS/10-18	41 114 24 13	10	0.9	
Belt Fastener U24BS, without Connecting Pin					
Belt thickness 5.0-6.0					
120-130	U24BS/12-9	41 129 60 89	12	0.8	
155-165	U24BS/12-12	41 114 24 14	12	1.0	
166-176	U24BS/12-13	41 129 60 50	12	1.0	
177-187	U24BS/12-14	41 114 23 99	12	1.0	
188-198	U24BS/12-15	41 114 24 01	12	0.9	
210-220	U24BS/10-17	41 129 59 37	10	1.0	
221-231	U24BS/10-18	41 114 24 15	10	1.0	
232-250	U24BS/8-20	41 129 69 16	8	1.0	Rivets: Stainless Steel 304
276-286	U24BS/8-23	41 129 59 15	8	1.0	Plate Material: Chromium Steel 430
298-308	U24BS/8-25	41 114 24 16	8	1.1	- High compression in the belt
364-374	U24BS/8-31	41 114 24 17	8	1.1	- Rivets are press fit rivets in the plate.
375-385	U24BS/6-32	41 129 59 40	6	1.1	- Cold forged plate and loops for highest strengths
Belt Fastener U24CS, without Connecting Pin					- High wear resistance and long life properties
Belt thickness 6.0-7.0					Packing Units :
188-198	U24CS/12-15	41 114 24 06	12	1.1	e.g. PU 10 includes 10 strips of fasteners.
210-220	U24CS/10-17	41 129 61 20	10	1.1	Strip length can easily be shortened.
221-231	U24CS/10-18	41 114 59 16	10	1.1	- Min. Pulley Diameter 75mm
276-286	U24CS/8-23	41 129 69 22	8	1.0	- Belt Strength up to 520 kN/m
Belt Fastener U24AS, with Connecting Pin T1F (Dia. 3.0 mm)					
Belt thickness 4.0-5.0					
155-165	U24AS/12-12/T1F142	41 114 24 35	12+	1.0	
188-198	U24AS/12-15/T1F175	41 114 24 02	12+	1.0	
Belt Fastener U24BS, with Connecting Pin T2F (Dia. 3.4 mm)					
Belt thickness 5.0-6.0					
120-130	U24BS/12-9/T2F110	41 129 59 90	12+	0.8	
155-165	U24BS/12-12/T2F142	41 114 24 09	12+	1.0	
166-176	U24BS/12-13/T2F153	41 114 60 50	12+		
177-187	U24BS/12-14/T2F165	41 114 23 98	12+	1.0	
188-198	U24BS/12-15/T2F175	41 114 24 00	12+	0.9	
210-220	U24BS/10-17/T2F197	41 129 60 55	10+	1.0	
221-231	U24BS/10-18/T2F208	41 114 24 07	10+	1.0	
232-250	U24BS/8-20/T2F242	41 129 59 95	8+	1.0	
276-286	U24BS/8-23/T2F265	41 114 24 18	8+	1.0	
298-308	U24BS/8-25/T2F286	41 114 24 19	8+	1.1	
364-374	U24BS/8-31/T2F353	41 114 24 20	8+	1.1	
375-385	U24BS/6-32/T2F363	41 129 59 41	6+	1.1	
Belt Fastener U24CS, with Connecting Pin T2F (Dia. 3.4 mm)					
Belt thickness 6.0-7.0					Material of Connecting Pin:
188-198	U24CS/12-15/T2F175	41 114 24 03	12+	1.0	Notched Spring Steel
210-220	U24CS/10-17/T2F197	41 114 60 56	10+	0.9	Fasteners: as described above
221-231	U24CS/10-18/T2F208	41 129 59 10	10+	0.9	Packing Units:
276-286	U24CS/8-23/T2F265	41 129 69 10	8+	1.0	e.g. PU 10+ includes 10 strips of fasteners
					+ 5 connecting pins.
					Strip length can easily be shortened.


See page 14 for additional information, page 15 for additional Connecting Pins.

Description	Width	Order No.	kg	
U24 Vice Lacer Profi				
Profi 5-55 incl. Punch	55 mm	41 129 58 82	2.9	Vice Lacer Profi 19
Profi 19-209 incl. Punch and prepared for mounting an optional Rivet Flattening Bar	209 mm	41 129 58 17	5.6	 <p>Punch</p>
Profi 25-275 incl. Punch and prepared for mounting an optional Rivet Flattening Bar	275 mm	41 129 58 49	5.6	
Punch U24 (Spare)		41 129 58 25	0.4	<p>Every Vice Lacer is supplied with a hand punch. The lacers are designed to be used in a bench vice, Profi 5-55 will hold 5 hooks at a time and the Profi 19-209 will hold 19 hooks at a time etc. For example: If you want to install a splice with 17 fasteners (187 mm), the installation is made in four steps using the Profi 5-55 and in one step, using the Profi 19-209.</p>
Hammer 05 (500g, for U24-Splices)		44 121 02 03	0.6	

Accessories for Vice Lacer

Rivet Flattening Bar 19 RS for Profi 19		41 129 80 08	0.3	 <p>A Rivet Flattening Bar can be mounted to the Profi19 and Profi 25 optionally. This way, the rivet heads can be flattened after the installation with the Vice Lacer.</p>
Rivet Flattening Bar 25 RS for Profi 25		41 129 80 07	0.7	

Hydraulic Installation Units U24 / pneumatic drive

POWER-VICE 25-275 (Pneumatic-Hydraulic Installation)	275 mm	41 129 58 18	50.0	 <p>Installation Unit POWERVICE 25 replaces the conventional Vice by means of a pneumatically driven Hydraulic Power Pack (minimum 4 bar air pressure necessary). Belt Fasteners U24 are pressed onto the belt directly during the pneumatic closing movement. Then the rivets can be punched using a Pneumatic Hammer. The splice is completed by pivoting the Rivet Flattening Bar and by repeated punching with the Pneumatic Hammer. This installation tool can hold up to 25 Fastener segments (275 mm strip length).</p>
---	--------	--------------	------	---

For processing bigger quantities, we can offer hydraulic lacers (HEM) as well. Please feel free to ask us.

Description	Order No.	kg
-------------	-----------	----

U24 Belt Lacing Kit

Profi 19 Installation Set U24

41 129 58 30

10.0



Profi Belt Lacing Kit consists of:

- Vice Lacer Profi 19
- Belt Skiver 18 Pro (skiving depth adjustable)
- Pneumatic Hammer with Punch
- Plastic Case

Belt Width mm	Description	Order No.	PU	kg
------------------	-------------	-----------	----	----

Belt Fastener H24BS, without Connecting Pin
Belt thickness 5.0-6.0

177-187	H24BS/12-14	41 115 23 99	12	0.9
188-198	H24BS/12-15	41 115 24 01	12	0.9
210-220	H24BS/10-17	41 115 24 06	10	0.9
221-231	H24BS/10-18	41 115 24 07	10	0.9
276-286	H24BS/8-23	41 115 24 08	8	0.9
298-308	H24BS/8-25	41 115 24 09	8	1.0
353-363	H24BS/6-30	41 115 24 02	6	0.9



Rivets: **Stainless Steel 304**
Plate Material: **Chromium Steel 430**

- High compression in the belt
- Rivets are a press fit rivets in the plate.
- Cold forged plate and loops for highest strengths
- High wear resistance and long life properties

Packing Units:

e. g. PU 10 includes 10 strips of fasteners. Strip length can easily be shortened.

Belt Fastener H24BS, with Connecting Pin T2F (Dia. 3.4 mm)
Belt thickness 5.0-6.0

177-187	H24BS/12-14/T2F165	41 115 23 98	12+	1.0
210-220	H24BS/10-17/T2F197	41 115 24 12	10+	0.9
221-231	H24BS/10-18/T2F208	41 115 24 10	10+	1.0
276-286	H24BS/8-23/T2F265	41 115 24 11	8+	1.0
298-308	H24BS/8-25/T2F286	41 115 25 15	8+	1.1
353-363	H24BS/6-30/T2F341	41 115 24 03	6+	1.0

- Min. Pulley Diameter 75mm
- Belt Strength up to 520 kN/m



Material of Connecting Pin:
Notched Spring Steel

Fasteners: as described above

Packing Units:

e.g. PU 10+ includes 10 strips of fasteners
+ 5 Connecting Pins.
Strip length can easily be shortened.

See page 14 for additional information, page 15 for additional Connecting Pins.

Description	Working Width	Order No.	kg
-------------	---------------	-----------	----

H24 Profi Installation Units + Accessories

Profi 15-180	180 mm	41 129 69 61	4.2
Profi 15-350	350 mm	41 129 69 62	6.8
Profi 15-500	500 mm	41 129 69 65	9.6
Profi 30-1000	1000 mm	41 129 70 10	17.5

Installation Unit H24 Profi 15-180



The Profi Installation Units are designed to be used on a work bench or any flat solid base. It might be also used directly on site.

All Profi tools can be used for continuous splicing. Using a 300g hammer or a pneumatic hammer to install the the fasteners.

Guide Block H24 Profi 15 41 129 70 00 1.1
common to all 24 - Profi Installation Units

Guide Block H24 Profi 30 41 129 70 11 2.2
recommended only for H24 - Profi 30-1000
(without picture)



Guide Block H24 Profi 15

Punch H24 Profi (Spare) 41 129 69 74 0.4



Description	Width	Order No.	kg
-------------	-------	-----------	----

Installation Units H24 ECO + Accessories

Eco 15-180	180 mm	41 129 69 63	3.6
Eco 15-350	350 mm	41 129 69 64	6.2

H24 Installation Unit Eco 350

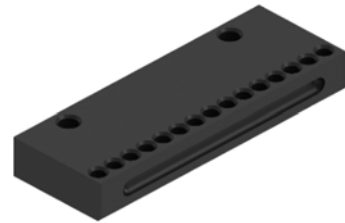


incl. Guide Block H24 Eco 15 and Punch 24 Eco

The Eco Installation Units are designed to be used on a work bench or any flat solid base. It might be also used directly on site.

All Eco tools can be used for continuous splicing. Using a 300g hammer or a pneumatic hammer to install the the fasteners.

Guide Block H24 Eco15 for Eco Installation Units		41 129 69 99	0.3
--	--	--------------	-----



Guide Block

Punch H24 Eco (Spare)		41 129 69 75	0.2
-----------------------	--	--------------	-----



H24 Belt Lacing Set

Profi 15-180 Basis Set	180 mm	41 129 69 68	8.3
Profi 15-350 Basis Set	350 mm	41 129 69 69	11.3



Profi 180 or 350 Basis Set

consists of :

- Profi Installation Unit 180 or 350
- Belt Skiver 18
- Hammer 300g
- Plastic Case

Description	Working Width	Order No.	kg
-------------	---------------	-----------	----

Installation Units H24 BALERTOOL 5-55

BALERTOOL 5-55		38 001 23	0.5
----------------	--	-----------	-----



Usage movie

The Balertool is a small convenient hammer tool for the installation of H24 fasteners. To be used on a work bench or any flat solid base. It might be also used directly on site. The tool life is limited compared with Eco and Profi installation units .

H24 BS Eco-Belt Lacing Set, with Connecting Pin T2F

Belt Width mm	Description	Order No.	PU
---------------	-------------	-----------	----

177-187	H24BS/4-14/T2F165	38 001 54	4+
188-198	H24BS/4-15/T2F175	38 001 30	4+
210-220	H24BS/4-17/T2F197	38 001 47	4+
221-231	H24BS/4-18/T2F208	38 001 61	4+

Hammer 03
(300g, for H24 Splices)

44 121 02 02



Packing Units:

e.g. PU 4+ includes: 4 strips of H24BS fasteners and 2 connecting pins T2F

Description	Order No.	kg
Pneumatic Hammer Profi including Punch L U24/H24 for use with U24/H24 Systems (see pages 6 and 9)	41 129 58 06	2.1
Punch L U24/H24 for Pneumatic Hammer Profi including replaceable spacer ring	41 129 58 07	0.1



The Punch is equipped with a spacer ring. This way, the Punch can be used for system U24 (Vice Lacer Profi, page 5) as well as for system H24 (Installation Unit Profi, page 8).

Belt Cutter and More Accessories

Belt Cutter TGS 300 (for belt widths up to 300 mm)	46 430 00 12	5.6
Belt Cutter TGS 600 (for belt widths up to 600 mm) (no image)	42 511 06 00	9.2
Spare Blade for portable Belt Cutter TGS (PU 5)	46 400 10 26	0.1
Squaring Template BB (for belt widths 175mm-230mm)	41 129 69 50	0.3



The Portable pull cutter is used for a square cut up to 300 mm or 600 mm width. In combination with the Belt Skivers it might be used as a clamping support.



Spare Blade for Belt Cutter TGS

The aluminum template can be used at belt width from 175 to 230. A slot will guide the belt knife when cutting the belt square.

Description	Order No.	kg	 <p>The Chamfer Tool accurately notches the corners of the belt using guide lines.</p>
Belt Edge Chamfer Tool 25	41 129 60 97	0.4	
Spare Blade for Chamfer Tool 25 (PU 10)	42 050 10 11	0.1	
Belt Skiver 18 Skiving Width 18 mm Double sided Blade	41 129 58 27	1.0	 <p>Belt Skiver 18</p>
Spare Blade GH18 Double sided Blade for Belt Skiver 18 (PU 5)	41 129 58 28	0.03	<p>One pass with the adjustable Belt Skiver 18 reduces the belt cover leaving 5-6 mm of belt thickness. The adjustable Hold-down Device allows processing even worn belts up to a maximum of 10 mm belt thickness. The Belt Skivers 18R and 25R have a reinforced skiving blade ensuring an accurately uniform skived belt.</p>
Belt Skiver 18R Skiving Width 18 mm Single sided reinforced Blade (PU1)	41 130 58 27	1.0	
Spare Blade GH18R for Belt Skiver 18 R and 18 Pro (PU 1) Single sided reinforced Blade	41 130 58 28	0.03	
Belt Skiver 25R Skiving Width 25 mm Single sided reinforced Blade	41 129 68 01	0.8	
Spare Blade GH25R for Belt Skiver 25 (PU 1)	41 129 68 02	0.03	
Belt Skiver 18 Pro Skiving Width 18 mm Single sided reinforced Blade	41 130 58 29	1.0	 <p>Belt Skiver 18 Pro</p>
Belt Marker	46 000 07 60	0.03	 <p>Belt Marker durably marks conveyor belts. Marking depth approx. 0.8 mm, width approx. 2.0 mm</p>

Description	Order No.	kg
Multiface 1.5 BOND in double cartridge inclusive 2 static mixers		
MF-1.5 -25 (2x12.5 g) (No Caulking Gun necessary)	380 78 18	0.1
MF-1.5 -50 (2x25 g)	380 78 25	0.1
MF-1.5 -200 (2x100 g)	380 78 32	0.2
MF-1.5 -400 (2x200 g)	380 78 49	0.4

Multiface® has been specially developed for maintenance of conveyor belts made of rubber, PVC or PU as well as for the bonding of abrasion resistant lining (patent pending).
Multiface® is even usable for materials such as metal, glass, ceramics, wood, textile and many other plastic materials, when a high strength and permanently elastic gluing with a very thin gap is required.

- Quick drying
- 65 ShoreA
- No hazardous product
- Food contact approved according to EG 1935/2004



MATO BOND Starter Set 200		
----------------------------------	--	--

Starter Set 200	380 78 56	
including:		
1 Double Cartridge MF-1.5 -200 (2x100 g) (Multiface 1.5 - 200 (2x100 g))		0.2
1 Caulking Gun 200/400		1.4
1 Carding Brush		0.2
1 Round Brush		0.1
3 Static Mixers		0.1



MATO BOND Starter Set 400		
----------------------------------	--	--

Starter Set 400	380 78 63	
including:		
1 Double Cartridge MF-1.5 -400 (2x200 g) (Multiface 1.5 - 400 (2x200 g))		0.4
1 Caulking Gun 200/400		1.4
1 Carding Brush		0.2
1 Round Brush		0.1
3 Static Mixers		0.1



Accessories		
--------------------	--	--

Caulking Gun 50	380 78 70	0.2
Caulking Gun 200/400	380 78 87	1.4
Static Mixer 25/50	380 78 94	0.1
Static Mixer 200/400	380 79 00	0.1
Carding Brush	380 79 17	0.1
Spare belt for Carding Brush	380 79 24	0.1
Belt Grinder	380 51 11	0.2
Belt Grinder Cone	380 79 48	0.1
Rotating Carding Brush ø100 mm x 23 mm with internal thread M14	380 79 31	0.2

Additional accessories are available upon request

Selection Chart for Connecting Pins

for High Performance Plate Fasteners U24 / H24

The MATO Connecting Pins are aligned in design and material composition to the MATO Fasteners.

Choosing the right Connecting Pin is an important contribution to reach the optimum performance of the splice in your application.

	U24AS	U24BS	U24CS	Belt Width	Fastener Strip Length	Number of Fasteners	Connecting Pin Length
Hammer Installed Fasteners for "Bench Vice Lacers"				120 - 130 mm	99 mm	9	110 mm
Hammerinstalled Fasteners without "Bench Vice"	-	H24BS	-	155 - 165 mm	132 mm	12	142 mm
	K1	K2	K2	166 - 176 mm	143 mm	13	153 mm
	O1K	O2K	O2K	177 - 187 mm	154 mm	14	165 mm
	T1F	T2F	T2F	188 - 198 mm	165 mm	15	175 mm
Belt Strength (kN/m)	Up to 520	Up to 520	Up to 520	210 - 220 mm	187 mm	17	197 mm
Min. Pulley Ø (mm)	75	75	75	221 - 231 mm	198 mm	18	208 mm
Belt Thickness (mm)	4 - 5	5 - 6	6 - 7	232 - 250 mm	220 mm	22	242 mm
				276 - 286 mm	253 mm	23	265 mm
				298 - 308 mm	275 mm	25	286 mm
				353 - 363 mm	330 mm	30	341 mm
				364 - 374 mm	341 mm	31	352 mm
				375 - 385 mm	352 mm	32	363 mm

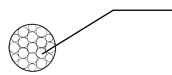
Other lengths upon request

Connecting Pins	High Tension Application	Troughing	Flexibility	No Troughing	Rust Resistant	Chemical Resistant	Wear Properties	Magnetic
K1 / K2	●●●○○	●●●○○	●●●●○	●●●○○	●●●○○	○○○○○	●●○○○	yes
O1K / O2K*	●●●●○	●●●●○	●●●●○	●●●●○	●●●●○	●○○○○	●●●○○	yes
T1F / T2F*	●●●●●	○○○○○	●○○○○	●●●●●	○○○○○	○○○○○	●●●●●	yes

poor ○○○○○

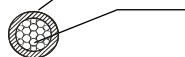
excellent ●●●●●

K1 / K2



High Tensile Galvanized Steel Cable

O1K / O2K



Wrap : Special Steel

Core : Stainless Chromium-Nickel Cable




T1F / T2F



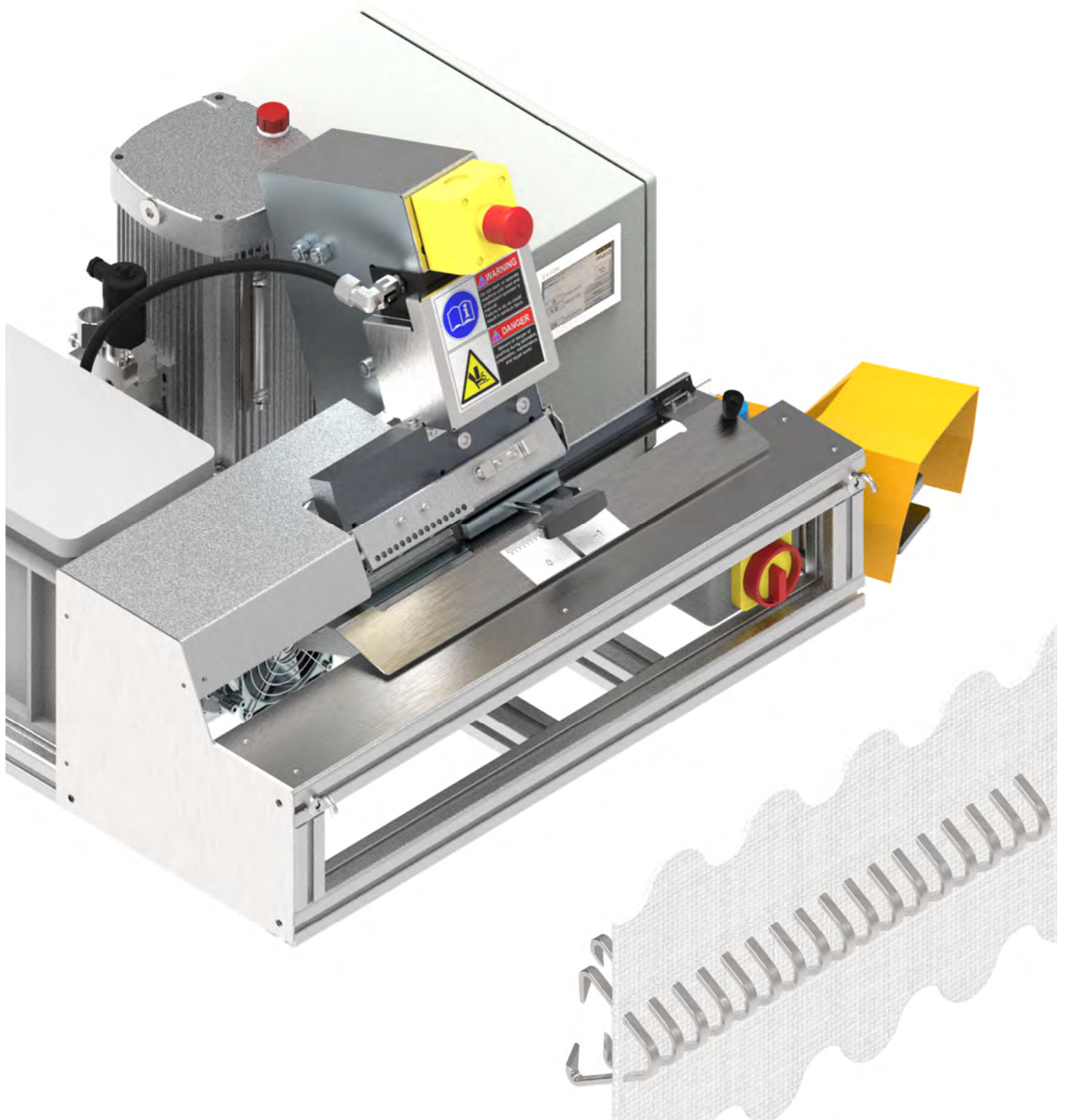
Notched Spring Steel

Connecting Pins

for High Performance Fasteners U24 / H24

Description	Min. Dia.	PU / Length	Order No.	kg		
Connecting Pin T..F						
Notched Spring Steel						
T1F	3,0 mm	6x 175 mm	41 129 59 60	0.1	 <p>Material: Notched Spring Steel</p> <p>Low wear, long life time especially in conveyor belts for round balers.</p> <p><u>PU</u> e. g. 6 x 165 mm Box content: 6 Connecting Pins 165 mm long</p>	
T1F	3,0 mm	5x 208 mm	41 129 59 64	0.1		
T2F	3,4 mm	6x 110 mm	41 129 60 78	0.1		
T2F	3,4 mm	6x 142 mm	41 129 58 90	0.1		
T2F	3,4 mm	6x 153 mm	41 129 59 08	0.1		
T2F	3,4 mm	6x 165 mm	41 129 58 92	0.1		
T2F	3,4 mm	6x 175 mm	41 129 58 08	0.1		
T2F	3,4 mm	5x 197 mm	41 129 59 09	0.1		
T2F	3,4 mm	5x 208 mm	41 129 58 16	0.1		
T2F	3,4 mm	4x 242 mm	41 129 60 59	0.1		
T2F	3,4 mm	4x 265 mm	41 129 59 11	0.1		
T2F	3,4 mm	4x 286 mm	41 129 59 18	0.1		
T2F	3,4 mm	3x 353 mm	41 129 59 19	0.1		
T2F	3,4 mm	3x 363 mm	41 129 59 42	0.1		
Connecting Pin O..K						
High Tensile Stainless Chromium-Nickel Stranded Cable						
O1K	3.0 mm	10 Meter	41 129 59 88	0.5	 <p>Material Core: Stainless Chromium-Nickel Cable Wrap: Special Steel</p> <p>Coils are supplied in 10 meter / 30 meter coils</p>	
O1K	3.0 mm	30 Meter	41 129 59 89	1.6		
O2K	3.4 mm	10 Meter	41 129 59 23	0.7		
O2K	3.4 mm	30 Meter	41 129 59 24	2.0		
Connecting Pin K..						
High Tensile Galvanized Cable						
K1	3.0 mm	10 Meter	41 129 59 86	0.5	 <p>Material : Galvanized Steel Cable</p> <p>Coils are supplied in 10 meter / 30 meter coils</p>	
K1	3.0 mm	30 Meter	41 129 59 87	1.4		
K2	3.4 mm	10 Meter	41 129 59 25	0.5		
K2	3.4 mm	30 Meter	41 129 59 26	1.6		

mato



MATO Flat Wire Fastener **Series M50-P and M60-P (MATOPATCH)** has been specifically developed for the **Laundry Industry**. This patented system is a leap forward in lifetime, design, appearance and ease of installation.

Using this fastener you or your customers will have the advantage of the safest, most enduring and optically most appealing Belt Lacing System.

The stainless steel flat wire fasteners are retained on a bar with a preinstalled textile patch are ideal for cotton and felt belts. This achieves the best protection of the laundry against damage and offers low noise levels, abrasive wear and belt connection wear.

The lifetime of the MATOPATCH Lacing System is up to four times longer than other fasteners used in the laundry industry.



MATOPATCH fasteners are designed such that the fastener can be installed in one step using the installation units shown on pages 22.

The requirement for additional gluing time and use of hazardous materials is eliminated. The textile patch can be customized and printed with customers' colours and logos.

Selection Chart

for Fastener Sizes of Systems M50, M60 (Laundry)

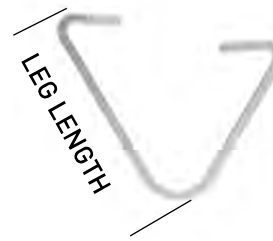
What do you need?

- Belt thickness
- Minimum pulley diameter
- Fastener pitch

How do you proceed?

Selection Charts on page 18

Definition:



Recommendations:

- select longest leg length, for high tension belt and larger pulley diameters.
- select lowest profile wire for a smooth surface and low noise levels.
- select larger profile wire for high wear

The leg length depends on the pulley diameter. The bigger the minimum pulley diameter, the longer the leg length. However, for the Laundry Fasteners listed here, the leg lengths are the same (named with number 1.2) See key to selection on page 18.

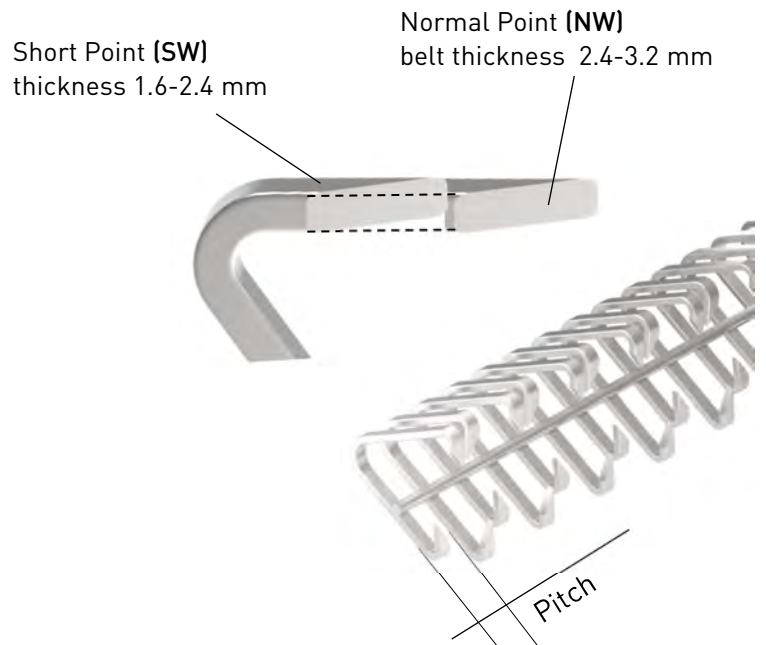
Material Selection

according to your requirements, please see selection chart below

Selection of Connecting Pins

see page 25

with textile patch or without textile patch



Material	Abbreviation	Magnetic	Abrasion Resistant	Chemical Resistant	Rust Resistant	Cover Protection	Systems
Stainless Steel, AISI 316L (1.4404)	SS	slightly	●●●●○	●●●●○	●●●●●	no	M50, M60
Stainless Steel, AISI 316L (1.4404) with textile patch	SS-P	slightly	●●●●●	●●●●○	●●●●●	yes	M50-P M60-P

poor ○○○○○

excellent ●●●●●

Contact our MATO specialists for assistance in selecting the correct fastener for your application.

Selection Chart

for Fastener Sizes Systems M50, M60 (with / without Textile Patch)

Pitch 1,7mm

Min. Pulley Diameter	Wire Dimensions		Connecting Pin Ø mm (Type)	Belt Thickness							
				≤ 1/32"	1/16"	5/64"	3/32"	7/64"	1/8"	9/64"	5/32"
	mm	inch		≤ 0,8mm	1,6mm	2,0mm	2,4mm	2,8mm	3,2mm	3,6mm	4,0mm
30mm 1 1/8"	0,65 x 0,5	0,026 x 0,020	1,5 (MK15)		M51.2SW-SS-P						
	0,65 x 0,5	0,026 x 0,020	1,5 (MK15)		M51.2SW-SS						
	0,65 x 0,5	0,026 x 0,020	1,5 (MK15)				M51.2NW-SS				

Pitch 2,54mm

Min. Pulley Diameter	Wire Dimensions		Connecting Pin Ø mm (Type)	Belt Thickness							
				≤ 1/32"	1/16"	5/64"	3/32"	7/64"	1/8"	9/64"	5/32"
	mm	inch		≤ 0,8mm	1,6mm	2,0mm	2,4mm	2,8mm	3,2mm	3,6mm	4,0mm
30mm 1 1/8"	0,9 x 0,5	0,035 x 0,020	1,5 (MK15)		M61.2LSW-SS-P						
	0,9 x 0,5	0,035 x 0,020	1,5 (MK15)		M61.2LSW-SS						
	0,9 x 0,5	0,035 x 0,020	1,5 (MK15)				M61.2LNW-SS				

with Patch

without Patch

See pages 32 for different belt thickness and pitches or on request.

M 6 1.2 L S W -SS -P

Key to selection example:

-P With Patch, max. temp.150°C / 302°F

-SS Stainless Steel 316L (1.4404)

SW Short Point, Alternate Cut

NW Normal Point, Alternate Cut

LW Long Point

L Low Profile, or respectively flattened round wire

1 25 mm

1.2 30 mm

2 50 mm

3 75 mm

4 100 mm

5 1.7 mm

6 2.54 mm

7 3.175 mm

8 3.67 mm

M Flat Wire

R Round Wire



Patch Fasteners welded on wire bar



Fasteners welded on wire bar

Wire Profile

Pitch

Min. Drum diameter

Wire shape

Point

Material

Low Profile and Patch-Fasteners M61.2

Pitch 2.54 mm / for Belt Thicknesses 1.6 - 2.4 and 1.6 - 3.2 mm

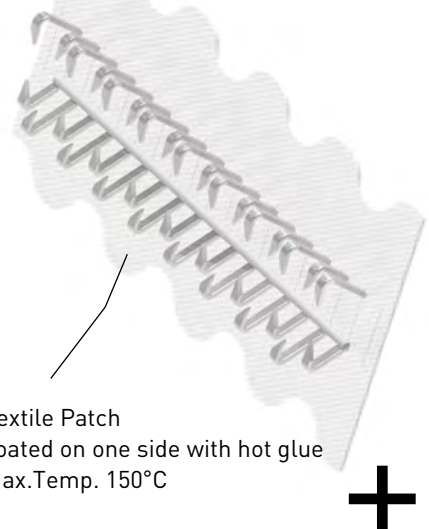
Belt Width	Fasteners per Strip	No. Of Laces	Order No.	kg
------------	---------------------	--------------	-----------	----

Fastener M61.2LSW-SS-P (with Textile Patch)

Belt thickness 1.6 - 2.4 mm

35 mm	11 / 12	50	42 654 03 50	0.3
38 mm	12 / 13	50	42 654 03 80	0.3
40 mm	13 / 14	50	42 654 04 00	0.3
48 mm	16 / 17	50	42 654 04 80	0.4
50 mm	17 / 18	50	42 654 05 00	0.4
57 mm	20 / 21	50	42 654 05 70	0.5
60 mm	21 / 22	50	42 654 06 00	0.5
75 mm	27 / 28	50	42 654 07 50	0.5
88 mm	31 / 32	25	42 654 08 80	0.4
113 mm	41 / 42	25	42 654 11 30	0.5
118 mm	41 / 42	25	42 654 11 80	0.5

Material: **Stainless Steel 316L(1.4404)**



Textile Patch coated on one side with hot glue
Max.Temp. 150°C



Fastener M61.2LSW-SS (without Textile Patch)

Belt thickness 1.6 - 2.4 mm

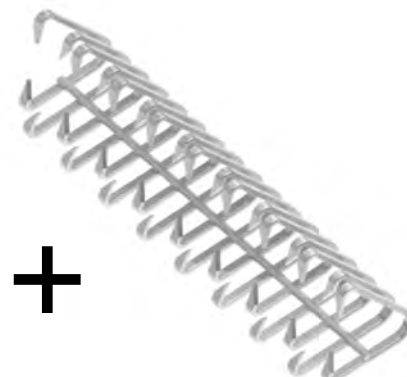
38 mm	12 / 13	100	42 268 03 80	0.3
40 mm	13 / 14	100	42 268 04 00	0.3
48 mm	16 / 17	100	42 268 04 80	0.4
50 mm	17 / 18	100	42 268 05 00	0.4
57 mm	20 / 21	100	42 268 05 70	0.5
88 mm	31 / 32	50	42 268 08 80	0.4
113 mm	41 / 42	50	42 268 11 30	0.5

- Pitch: **2.54 mm**

- Wire measurements: 0.9 x 0.5 mm
- Barred Fasteners

- Box content
incl. Connecting Pins MK15-NYN

- Material: **Stainless Steel 316L (1.4404) (SS)**



- Pitch: **2.54 mm**

- Wire measurements: 0.9 x 0.5 mm
- Barred Fasteners

Fastener M61.2LNW-SS (without Textile Patch)

Belt thickness 2.4 - 3.2 mm

38 mm	12 / 13	100	42 269 03 80	0.3
40 mm	13 / 14	100	42 269 04 00	0.3
50 mm	17 / 18	100	42 269 05 00	0.4
127 mm	46 / 47	50	42 269 12 70	0.6
150 mm	55 / 56	50	42 269 15 00	0.6

Please see page 33 for more connecting pins / Fasteners for other belt width upon request

Low Profile and Patch-Fasteners M51.2

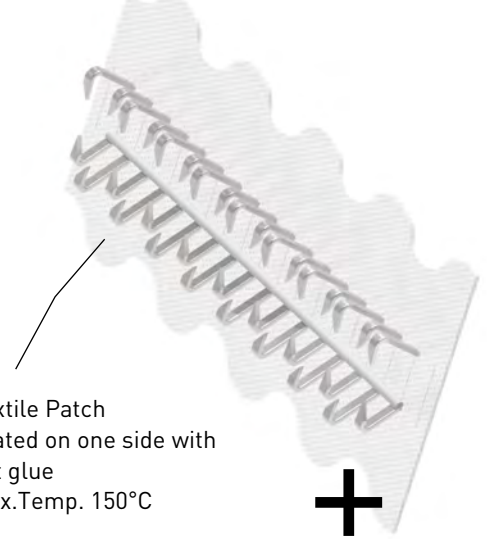
Pitch 1.7 mm / for Belt Thicknesses 1.6 - 2.4 - 3.4 mm

Belt Width	Fasteners per Strip	No. Of Laces	Order No.	kg
------------	---------------------	--------------	-----------	----

Belt Fastener M51.2SW-SS-P (with Textile Patch)
Belt thickness 1.6 - 2.4 mm

38 mm	19 / 20	50	42 723 04 00	0.3
48 mm	24 / 25	50	42 723 04 80	0.4
50 mm	26 / 27	50	42 723 05 00	0.4
57 mm	30 / 31	50	42 723 05 70	0.5
60 mm	32 / 33	50	42 723 06 00	0.5
88 mm	46 / 47	25	42 723 08 80	0.4
113 mm	61 / 62	25	42 723 11 30	0.5
120 mm	64 / 65	25	42 723 12 00	0.5

Material: **Stainless Steel 316L(1.4404)**



Textile Patch coated on one side with hot glue
Max.Temp. 150°C

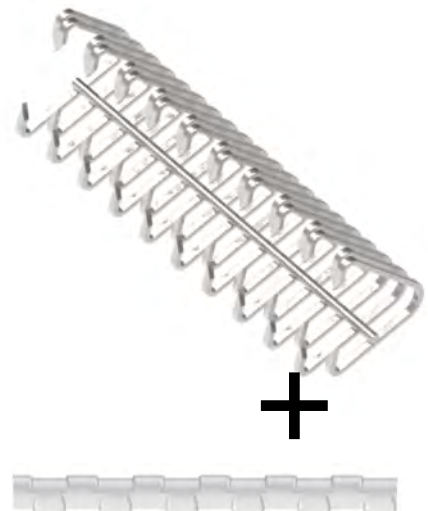
Belt Fastener M51.2SW-SS (without Textile Patch)
Belt thickness 1.6 - 2.4 mm

38 mm	19 / 20	100	42 690 04 00	0.3
48 mm	24 / 25	100	42 690 04 80	0.4
50 mm	26 / 27	100	42 690 05 00	0.4
57 mm	30 / 31	100	42 690 05 70	0.5
60 mm	32 / 33	100	42 690 06 00	0.5
75 mm	39 / 40	100	42 690 07 50	0.6
88 mm	46 / 47	50	42 690 08 80	0.4
113 mm	61 / 62	50	42 690 11 30	0.5
120 mm	64 / 65	50	42 690 12 00	0.5

- Pitch: **1.7 mm**
- Wire measurements: 0.65 x 0.5 mm
- Barred Fasteners

- Box content incl. Connecting Pin MK15-NYN

Material: **Stainless Steel 316L(1.4404)**



- Pitch: **1.7 mm**
- Wire measurements: 0.65 x 0.5 mm
- Barred Fasteners

- Box content incl. Connecting Pin MK15-NYN

Belt Fastener M51.2NW-SS (without Textile Patch)
Belt thickness 2.4 - 3.2 mm

38 mm	19 / 20	100	42 699 04 00	0.3
48 mm	24 / 25	100	42 699 04 80	0.4
50 mm	26 / 27	100	42 699 05 00	0.4
300 mm	172 / 173	20	42 699 30 00	0.5

Description	Pitch (mm)	Order No.	kg
-------------	------------	-----------	----

Lacing Tools MATOPATCHLEVER
with fixed Fastener Retainer

MATOPATCHLEVER 50WP (Max. Belt Width 60 mm)	1.7	42 480 96 50	6.0
MATOPATCHLEVER 60WP (Max. Belt Width 60 mm)	2.54	42 480 96 60	6.0



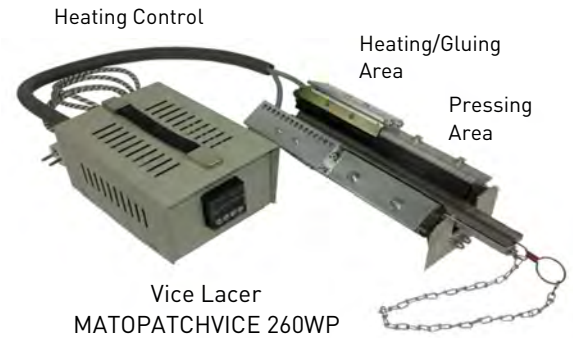
Lacing Tool MATOPATCHLEVER

The MATOPATCHLEVER 50WP resp. 60WP was developed for installing MATOPATCH Fasteners with pitches 1.7 mm or 2.54 mm. Since this tool does not require a vice, it enables simple installation directly at machines. Installing the fasteners and the textile patch is achieved in one step.

Electrical Data: 0.6 kW / 230V / 50Hz / 1 Phase
Temperature is adjustable up to 250°C

Vice Lacer MATOPATCHVICE
incl. Universal Comb and Comb Pin Dia. 1.5mm resp. 1.7 mm

MATOPATCHVICE 260WP (Heating and Pressing Area 120 mm each)	1.7	42 200 02 04	6.5
MATOPATCHVICE 260WP (Heating and Pressing Area 120 mm each)	2.54	42 200 02 02	6.5



Vice Lacer MATOPATCHVICE 260WP

The Vice Lacer MATOPATCHVICE 260WP is ideal for installing small and medium series of MATO Patch Fasteners. This tool can be used with a vice as well as with the electro-hydraulic installation unit MATOHYD 260WP (page 23).

The maximum installation width of the Vice Lacer MATOPATCHVICE 260WP is 120 mm. All fasteners with or without patch (1.7 or 2.54 mm pitch) can be installed.

The installation steps are as follows:

- press in the fasteners into the belt (without heating) -
- hot glue the patch
- repress the complete splice.

Electrical Data: 0.6 kW / 230V / 50Hz / 1 Phase
Temperature is adjustable up to 250°C

Extra Universal Combs for MATOPATCHVICE
Comb Width 260 mm

UNICOMB 50-260VH-WP incl. Comb Pin Dia. 1.5 mm	1.7	42 480 21 51	0.5
UNICOMB 60-260VH-WP incl. Comb Pin Dia. 1.7 mm	2.54	42 480 11 51	0.5



Unicombs can be easily and quickly replaced simply by loosening a screw at the installation unit.

For processing bigger quantities, please ask for our Lacing Tools

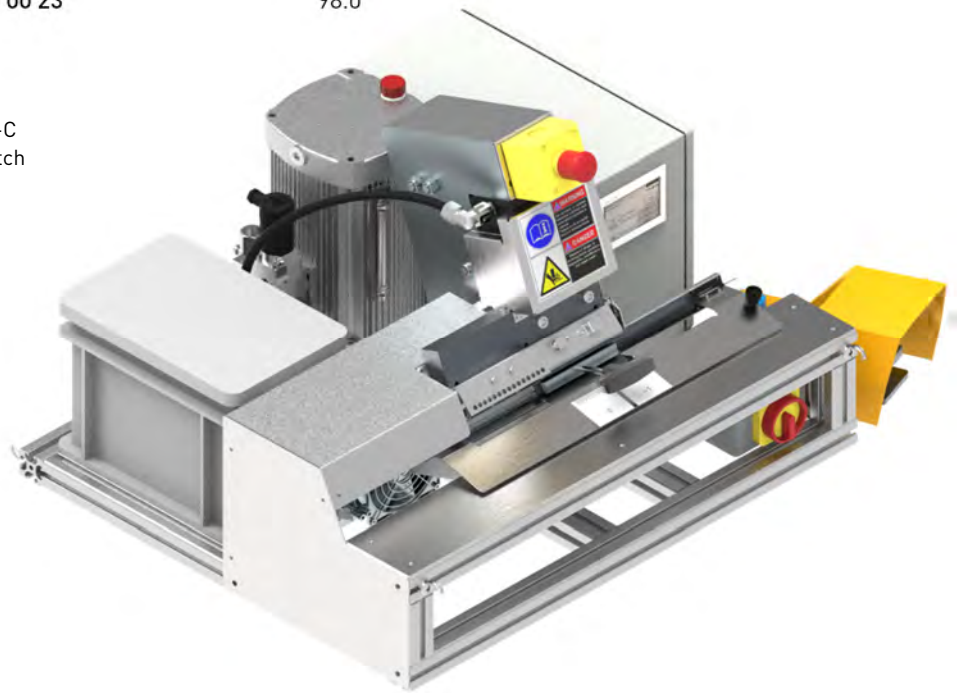
Description	Order No.	kg
Installation Machine 260WP Compact		

MATOPATCH 260WP-C

42 200 00 23

98.0

The hydraulic installation machine MATOHYD 260 WP-C (base unit) is used for high-quality and economical patch splices for belt widths up to 120 mm.



Installation Machine MATOHYD 260/480WP

Please ask your MATO expert for details



MATOHYD 260WP

42 200 00 06

Description	Working Width	Order No.	kg
-------------	---------------	-----------	----

Accessories

Belt Cutter LD	150 mm	42 510 01 50	2.4
----------------	--------	--------------	-----



The Belt Cutter will cut belts up to 150mm wide in one pass. The round blade design has eight positions so when blade is worn turn to next position (see below).

Spare Blade for Belt Cutter LD (PU 1)		42 510 11 50	0.01
--	--	--------------	------



Spare Blade with eight positions.

Textile Belt Cutter 90° Angle Stop	50 mm	42 050 10 10	0.4
---------------------------------------	-------	--------------	-----



Spare Blade for Textile Belt Cutter (PU 10)		42 050 10 11	0.01
--	--	--------------	------

The Textile Belt Cutter is ideal for cutting Light Duty Belts such as Laundry Belts. The 90° stop produces an accurate cut.

Supergrip Skiver	7 mm	42 640 00 00	0.1
------------------	------	--------------	-----



Hand Skiver for patterned and rough top belts.

Description	Working Width	Order No.	kg
Accessories			

Belt Clamp W1	100 mm	42 480 90 00	1.2
---------------	--------	--------------	-----



The Belt Clamp W1 enables easy tensioning and de-tensioning of laundry belts.

Fastener Inserting Tool	50 mm	42 200 20 90	0.1
-------------------------	-------	--------------	-----

Fastener Inserting Tool	90 mm	42 200 20 91	0.2
-------------------------	-------	--------------	-----

Fastener Inserting Tool	120 mm	42 200 20 92	0.3
-------------------------	--------	--------------	-----

Further sizes upon request



These tools are recommended for installing PATCH fasteners in fixed Combs and small spaces and avoids finger contact with heating clamps. It can be used with fastener pitches 1.7 mm and 2.54 mm.

Selection Charts for Connecting Pins

Connecting Pins for Rectangular and Round Wire Fasteners (Laundry Industry)

The MATO Connecting Pins are aligned in design and material composition to the MATO Fasteners.

Choosing the right Connecting Pin is important for reaching the optimum performance of the splice in your application.

Cut-to-length notched Nylon Pins (NYN) are recommended for laundry applications such as folding machines.




Choosing the Connecting Pin

Fastener size	
M51.2SW-SS-P	M61.2LSW-SS-P
M51.2SW-SS	M61.2LSW-SS
	M61.2LSW-S
M51.2NW-SS	M61.2LNW-SS
	M61.2LNW-S

Connecting Pin size
MK15...

Dia. 1,5 mm

Choosing the Connecting Pin Type

Connecting Pin	Abbreviation	Fastener Wear Properties	Rust Resistant	Chemical Resistant	Temperature Consistency	Magnetic Properties	Flexibility
 Solid Nylon, notched	...NYN	●●●●●	●●●●●	●●●●●	●●○○○	non	●●●●●
 Solid Stainless Steel wire, notched (316)	...WSSN	●●●○○	●●●●○	●●●●○	●●●●●	slightly	●○○○○
 Solid PEEK cable, notched	...PEN*	●●●●●	●●●●●	●●●●●	●●●●○	non	●●●●●

poor

○○○○○

excellent

●●●●●



WSSN



NYN



PEN

* PEEK (high temperature resistant Polyetheretherketone)

Connecting Pins MK15

for Fasteners M60

Belt Width	Length (mm)	No. Pins Packing Unit	Order No.	kg
------------	-------------	-----------------------	-----------	----

Connecting Pin MK15 NYN, cut to length

Solid Nylon notched

35 mm	32	100	42 208 03 50	0.01
38 mm	35	100	42 208 03 80	0.01
40 mm	37	100	42 208 04 00	0.01
48 mm	45	100	42 208 04 80	0.01
50 mm	47	100	42 208 05 00	0.01
57 mm	54	100	42 208 05 70	0.01
60 mm	57	100	42 208 06 00	0.01
63 mm	60	100	42 208 06 30	0.01
75 mm	72	100	42 208 07 50	0.01
83 mm	80	50	42 208 08 30	0.01
88 mm	85	50	42 208 08 80	0.01
113 mm	110	50	42 208 11 30	0.02
120 mm	117	50	42 208 12 00	0.01
127 mm	124	50	42 208 12 70	0.01
140 mm	137	50	42 208 14 00	0.01
150 mm	147	50	42 208 15 00	0.01
300 mm	297	20	42 208 30 00	0.01

Material: Wear resistant Nylon

- Connecting Pins notched
- Diameter 1.5 mm



Connecting Pin MK15 NYN, 30 Meter Coil

Solid Nylon, notched

MK15-NYN	30 Meter	1	42 513 01 50	0.1
----------	----------	---	--------------	-----

Connecting Pin MK15 WSSN, 30 Meter Coil

Wire Stainless 316 (1.4401), notched

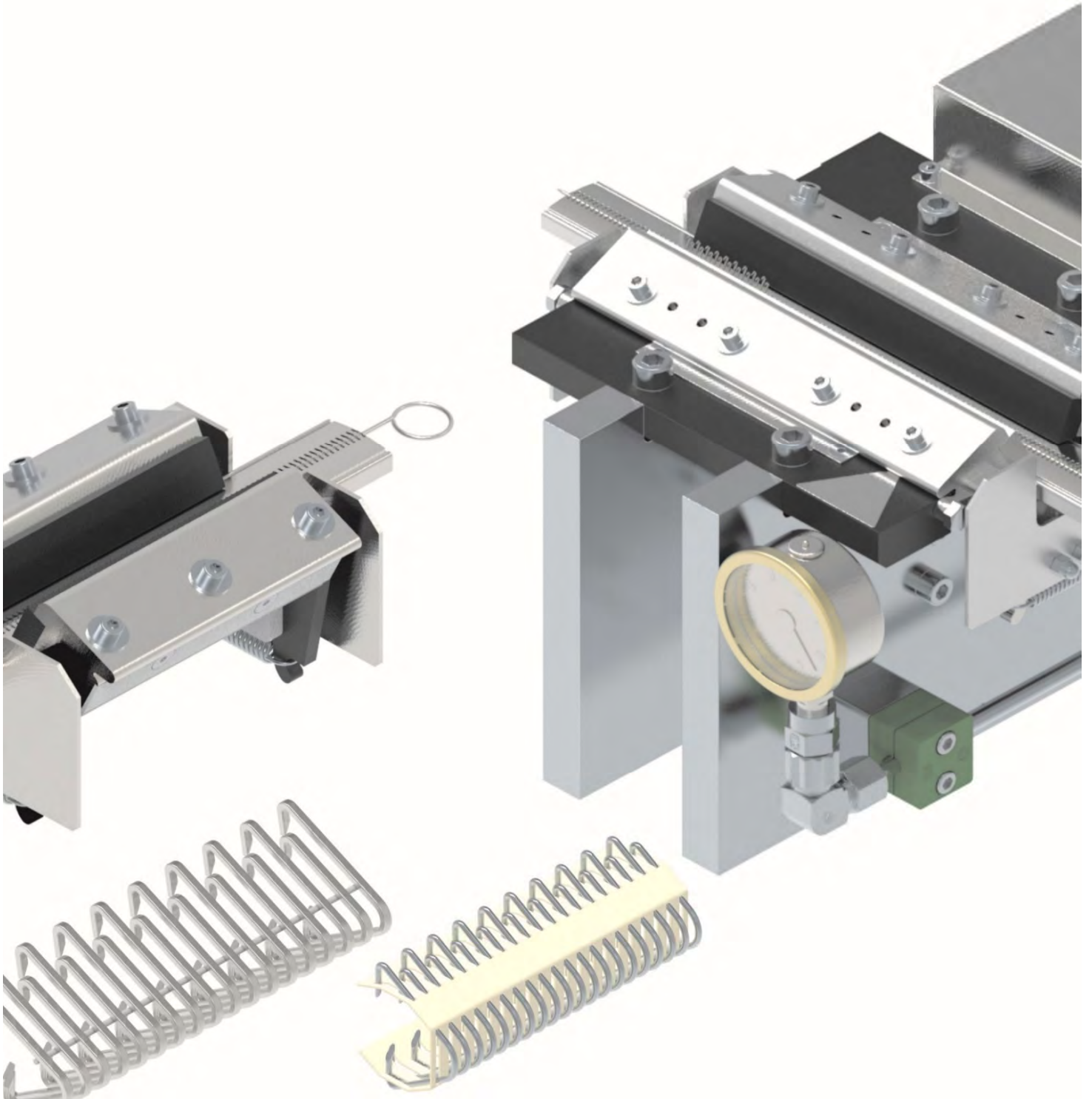
MK15-WSSN	30 Meter	1	42 508 01 50	0.38
-----------	----------	---	--------------	------

Connecting Pin MK15 PKN, 30 Meter Coil

Notched PEEK-Cord

MK15-PEN	30 Meter	1	42 516 01 50	0.1
----------	----------	---	--------------	-----

mato



Selection Chart

for Wire Hook Systems

What do you need?

- Belt thickness
- Minimum pulley diameter
- Fastener pitch

How do you proceed?

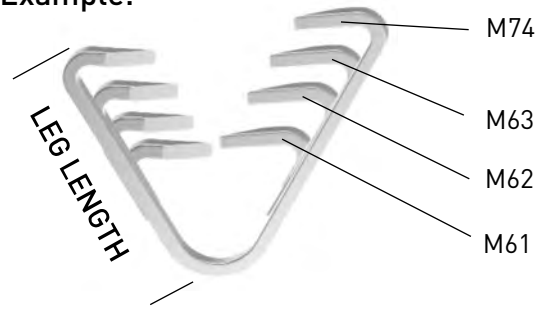
Recommendations:

- select longest leg length, for high tension belt and larger pulley diameters.
- select lowest profile wire for a smooth surface and low noise levels.
- select larger profile wire for high wear

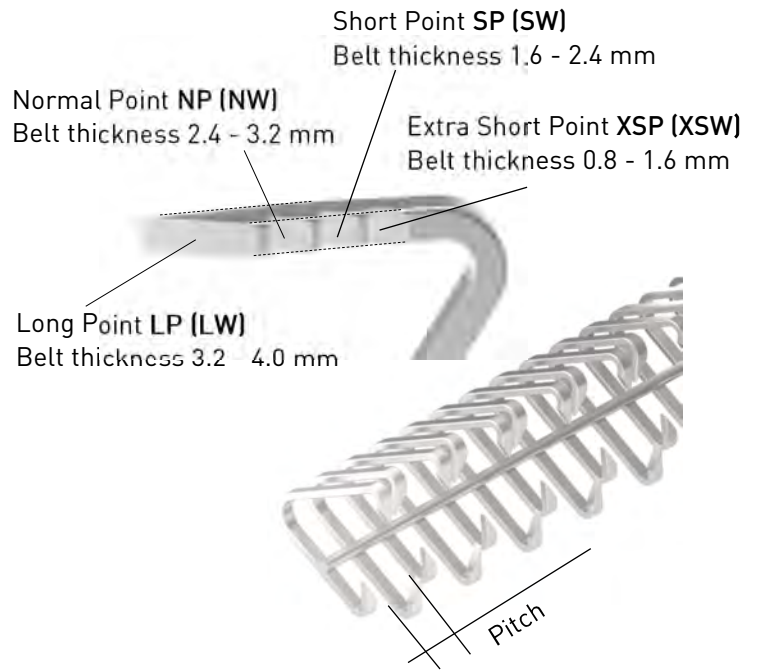
Material Selection

according to your requirements, please see selection chart below

Example:



The leg length dependent on the pulley diameter. The bigger the minimum pulley diameter, the longer the leg length. See key to selection on page 29.



Material	Symbol	Magnetic	Abrasion Resistant	Chemical Resistant	Rust Resistant	Systems
Galvanized Steel	G	yes	●●●●○	●○○○○	●●●○○	R20, R30
Special Steel	C	yes	●●●●○	●○○○○	○○○○○	R80
Stainless Steel, 1.4016	S	yes	●●●●○	●●●○○	●●●○○	M50, M60, R20, R30, R70, R80
Stainless Steel, 1.4404	SS	slightly	●●●●○	●●●●○	●●●●●	M50, M60, M70, R20, R30, R70, R80
Monel 400	MO	slightly	●●○○○	●●●●●	●●●●●	on request
Inconel 600	IN	no	●●○○○	●●●●●	●●●●●	on request
Hastelloy C4	HA	no	●●●●○	●●●●●	●●●●●	on request

poor ○○○○○

excellent ●●●●●

Contact our MATO specialists for assistance in selecting the correct fastener for your application.

Selection Chart

for Fastener Sizes of Systems M50 and M60

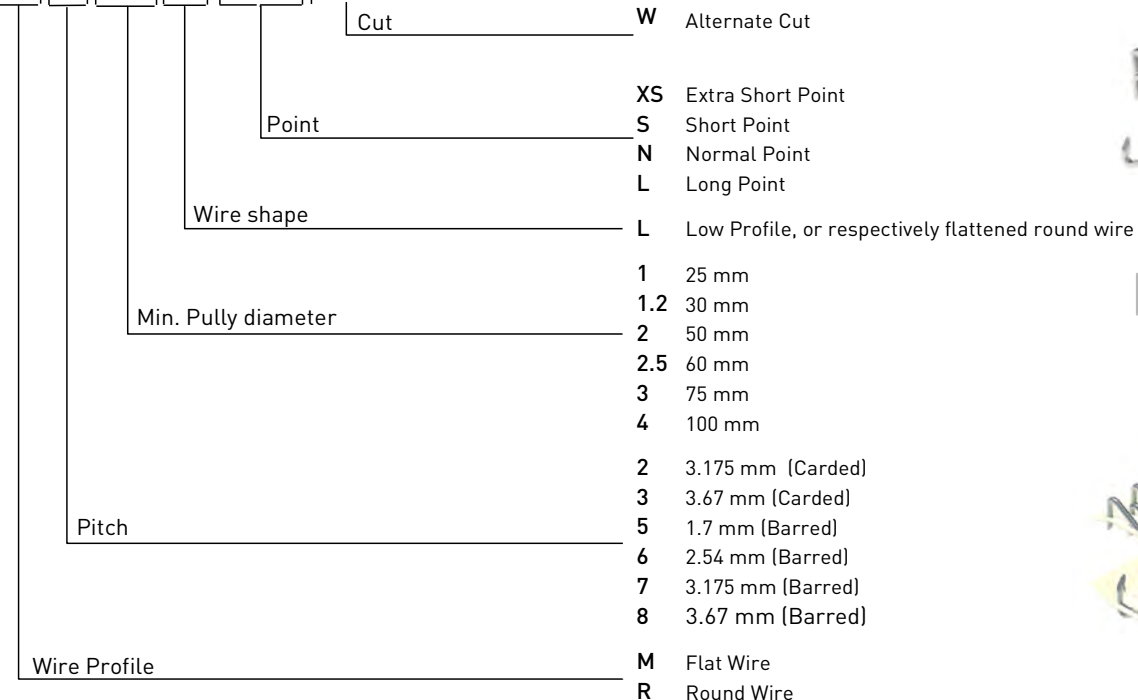
Pitch 1,7mm

Min. Pulley Diameter	Wire Measurements		Connecting Pin Diameter mm (Type)	Belt Thickness							
	mm	inch		from 1/32"	1/16"	5/64"	3/32"	7/64"	1/8"	9/64"	5/32"
				from 0.8 mm	1,6mm	2,0mm	2,4mm	2,8mm	3,2mm	3,6mm	4,0mm
30mm	0,65 x 0,5	0,026 x 0,020	1,5 (MK15)			M51.2SW					
1 1/8"	0,65 x 0,5	0,026 x 0,020	1,5 (MK15)					M51.2NW			

Pitch: 2.54mm

Min. Pulley Diameter	Wire Measurements		Connecting Pin Diameter mm (Type)	Belt Thickness							
	mm	inch		from 1/32"	1/16"	5/64"	3/32"	7/64"	1/8"	9/64"	5/32"
				from 0.8 mm	1.6mm	2.0mm	2.4mm	2.8mm	3.2mm	3.6mm	4.0mm
25mm 1"	0,9 x 0,5	0,035 x 0,020	1,2(MK12)			M61LXSW					
	0,9 x 0,7	0,035 x 0,028	1,2(MK12)			M61XSW					
	0,9 x 0,5	0,035 x 0,020	1,5 (MK15)				M61LSW				
30mm 1 1/8"	0,9 x 0,7	0,035 x 0,028	1,5 (MK15)				M61SW				
	0,9 x 0,5	0,035 x 0,020	1,5 (MK15)			M61.2LSW					
	0,9 x 0,5	0,035 x 0,020	1,5 (MK15)					M61.2 LNW			
50mm 2"	0,9 x 0,5	0,035 x 0,020	1,2(MK12)			M62LXSW					
	0,9 x 0,7	0,035 x 0,028	1,2(MK12)			M62XSW					
	0,9 x 0,5	0,035 x 0,020	1,5 (MK15)				M62LSW				
	0,9 x 0,7	0,035 x 0,028	1,5 (MK15)				M62SW				
	0,9 x 0,5	0,035 x 0,020	1,8 (MK18)					M62LNW			
	0,9 x 0,7	0,035 x 0,028	1,8 (MK18)					M62NW			
60mm 2 1/4"	0,9 x 0,7	0,035 x 0,028	1,8 (MK18)							M62LW	
75mm 3"	0,9 x 0,5	0,035 x 0,020	1,5 (MK15)					M62.5 LNW			
	0,9 x 0,7	0,035 x 0,028	1,5 (MK15)								
	0,9 x 0,7	0,035 x 0,028	1,8 (MK18)			M63SW					
75mm 3"	0,9 x 0,7	0,035 x 0,028	1,8 (MK18)						M63NW		
	0,9 x 0,7	0,035 x 0,028	1,8 (MK18)							M63LW	
	0,9 x 0,7	0,035 x 0,028	1,8 (MK18)								

M 6 1 L X S W



Barred



Carded

Selection Chart

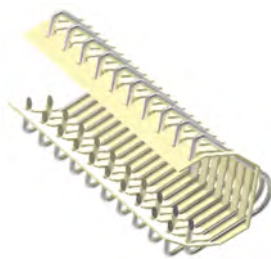
for Fastener Sizes of Systems R20, R30, R70, R80 and M70

Pitch 3,175mm

Min. Pulley Diameter	Wire Measurements		Connecting Pin Diameter mm (Type)	Belt Thickness							
	mm	inch		5/64"	1/8"	5/32"	3/16"	1/4"	9/32"	5/16"	11/32"
				2mm	3mm	4mm	5mm	6mm	7mm	8mm	9mm
50mm 2"	Ø 1,0	Ø 0,040	1,8 (MK18)	R22SP							
	Ø 1,0	Ø 0,040	1,8 (MK18)	R72SW							
	Ø 1,0	Ø 0,040	2,0 (MK20)			R22NP					
	Ø 1,0	Ø 0,040	2,0 (MK20)			R72NW					
75mm 3"	Ø 1,0	Ø 0,040	1,8 (MK18)	R23SP							
	Ø 1,0	Ø 0,040	1,8 (MK18)	R73LSW							
	Ø 1,0	Ø 0,040	2,0 (MK20)			R23NP					
	Ø 1,0	Ø 0,040	2,0 (MK20)			R73NW					
	Ø 1,0	Ø 0,040	2,0 (MK20)			R73LLW					
100mm 4"	1,2 x 1,0	0,048 x 0,040	1,5 (MK15)	M74XSW							
	1,2 x 1,0	0,048 x 0,040	1,8 (MK18)			M74SW					
	1,2 x 1,0	0,048 x 0,040	2,0 (MK20)			M74NW					
	1,2 x 1,0	0,048 x 0,041	2,0 (MK20)			M74LW					

Pitch 3,67mm

Min. Pulley Diameter	Wire Measurements		Connecting Pin Diameter mm (Type)	Belt Thickness							
	mm	inch		5/64"	1/8"	5/32"	3/16"	1/4"	9/32"	5/16"	11/32"
				2mm	3mm	4mm	5mm	6mm	7mm	8mm	9mm
50mm 2"	Ø 1,4	Ø 0,055	2,0 (MK20)	R32							
	Ø 1,4	Ø 0,055	2,0 (MK20)	R82*							
75mm 3"	Ø 1,4	Ø 0,055	2,5 (MK25)	R33							
	Ø 1,4	Ø 0,055	2,5 (MK25)	R83*							
100mm 4"	Ø 1,4	Ø 0,055	3,0 (MK30)	R34							
	Ø 1,4	Ø 0,055	3,0 (MK30)	R84							
125mm 4"	Ø 1,4	Ø 0,055	3,5 (MK35)	R35							
	Ø 1,4	Ø 0,055	3,5 (MK35)	R85							
150mm 6"	Ø 1,4	Ø 0,055	4,0 (MK40)	R36							
	Ø 1,4	Ø 0,055	4,0 (MK40)	R86							



Carded



Barred

*additional available with wire diameter 1.20 mm upon request

The MATO Rectangular Wire Fastener M50 / M60 / M70 Series has been specially developed for applications in the filter, airport, food, distribution, and laundry industry.

Features:

- embed into the belt
- minimum abrasive wear
- low noise level
- kind to Belt Cleaning Systems

Depending on the application, there are four different standard versions available:

Rectangular Wire Fastener M50 Series

Pitch 1.7 mm

Barred Fasteners

Fastener with an extra flat wire (0.65 x 0.5 mm).

This is a preferred version when an extremely flat surface is required (e. g. a very good embedding in the belt and very low noise emission for sliding belt surface is required).



Rectangular Wire Fastener Series M60

Pitch 2.54 mm

Barred Fasteners

Fastener with a rectangular wire 0.9 x 0.7 mm.

Due to the bigger wire profile compared to the M50, the M60 fasteners provide higher tensile strength and higher wear resistance. The rectangular wire profile results in a very flat fill and, therefore, in a low noise level.



Special Ultra Low Profile Fastener Series M60L

Barred Fasteners

just as Series M60, but with an extremely flat wire (0.9 x 0.5 mm).

This Fastener is used if the wire of the M60 version fills too heavily.

Rectangular Wire Fastener Series M70

Pitch 3.175 mm

Barred Fasteners

Fastener with a rectangular wire 1.2 x 1 mm.

Due to the bigger profile wire, the M70 fasteners provide highest tensile strength and highest wear resistance. The rectangular wire profile results in a very flat fill and, therefore, in a low noise level.

Note:

We have a continuous improvement programme for the Patch, Rectangular Wire Fasteners and associated Installation Tools.

MATO Round Wire Fasteners are used for Light Duty Belts, depending on the demand in most of the market segments. The fastener series differ from

- Pitch (measurement from leg to leg)
- Fasteners are supplied carded or barred
- Wire diameter ranges from 1.0mm to 1.4mm
- Geometrical form (belt thicknesses from 2.0mm to 9.0mm and minimum pulley diameters from 50mm to 150mm)

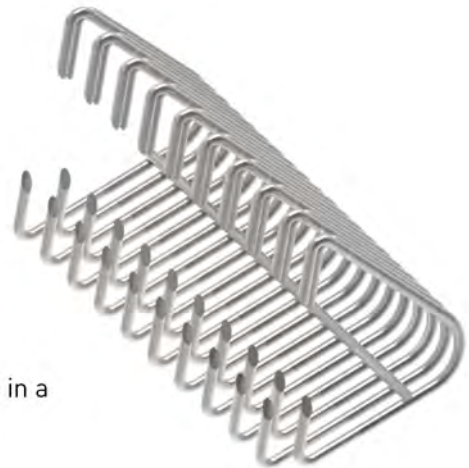
The advantages of barred fasteners over carded fasteners are due to the reduced risk of using single hooks on installation and also a flatter belt profile after installation.

Round Wire Fastener Series R70

Pitch 3.175 mm

Barred Fasteners

This series has a diameter of approx.1.0 mm and can be used in a belt thickness range from 2.0 mm to 5.0 mm.



Round Wire Fastener Series R80

Pitch 3.67 mm

Barred Fasteners

These fasteners have a wire diameter of approx.1.40 mm and can be used in a belt thickness ranging from 3.0 mm to 9.0 mm.

Round Wire Fastener Series R20

Pitch 3.175 mm,

Carded

These fasteners are approx.1.0mm in diameter and can be used for a belt thickness ranging from 2.0mm to 4.0mm.

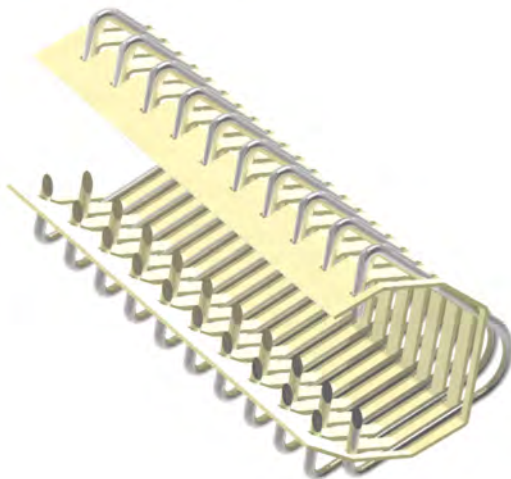
Carded fasteners are recommended when used with troughed belts or crowned pulleys where flexing of the splice occurs.

Round Wire Fastener Series R30

Pitch 3.67 mm

Carded

These fasteners are approx.1.40 mm in diameter and can be used for a belt thickness ranging from 3.0 mm to 9.0 mm.



Contact our Mato specialist for assistance in selecting the correct fastener for your application. Special designs (intermediate sizes and other wire dimensions) are available on request.

Rectangular Wire Fasteners M50

Standard Design, Pitch 1.7 mm, Welded on Barred Wire

Description	Belt Thickness	Min. Drum Dia.	Order No.	kg
Stainless Steel 316L (SS), Strip Length 300 mm				
Box Content : 12 Strips				

M51.2SW	1.6-2.4 mm	30 mm	42 704 25 51	0.2
M51.2NW	2.4-3.2 mm	30 mm	42 704 25 52	0.2



- Material: **Stainless Steel 316L (1.4404)**
- Belt Thickness: **1.6 - 3.2 mm**
- Pitch: **1.7 mm**
- Wire Dimension: **0.65 x 0.5 mm**
- Barred Fasteners
- Box does not include Connecting Pins

Rectangular Wire Fasteners M60

Standard Design, Pitch 2.54 mm, Welded on Barred Wire

Stainless Steel 316L (SS), Strip Length 300 mm				
Box Content : 12 Strips				

M61XSW	0,8-1,6 mm	25 mm	42 704 26 17	0.2
M61SW	1,6-2,4 mm	25 mm	42 704 26 14	0.2
M62XSW	0,8-1,6 mm	50 mm	42 704 26 27	0.3
M62SW	1,6-2,4 mm	50 mm	42 704 26 24	0.3
M62NW	2,4-3,2 mm	50 mm	42 704 26 25	0.3
M62LW	3,2-4,0 mm	50 mm	42 704 26 26	0.3
M63SW	1,6-2,4 mm	75 mm	42 704 26 34	0.4
M63NW	2,4-3,2 mm	75 mm	42 704 26 35	0.4
M63LW	3,2-4,0 mm	75 mm	42 704 26 36	0.4



- Material: **Stainless Steel 316L (1.4404)**
- Belt Thickness: **0.8 - 4.0 mm**
- Pitch: **2.54 mm**
- Wire Dimension: **0.9 x 0.7 mm**
- Barred Fasteners
- Box does not include Connecting Pins

Stainless Steel 316L (SS), Strip Length 600 mm				
Box Content : 10 Strips				

M61XSW	0,8-1,6 mm	25 mm	42 704 56 17	0.5
M61SW	1,6-2,4 mm	25 mm	42 704 56 14	0.5
M62XSW	0,8-1,6 mm	50 mm	42 704 56 27	0.6
M62SW	1,6-2,4 mm	50 mm	42 704 56 24	0.6
M62NW	2,4-3,2 mm	50 mm	42 704 56 25	0.6
M62LW	3,2-4,0 mm	50 mm	42 704 56 26	0.6
M63SW	1,6-2,4 mm	75 mm	42 704 56 34	0.8
M63NW	2,4-3,2 mm	75 mm	42 704 56 35	0.8
M63LW	3,2-4,0 mm	75 mm	42 704 56 36	0.8

Please see pages 45 -46 for Connecting Pins

Low Profile Fasteners M60L

Extra Flat Design, Pitch 2.54 mm, Welded on Barred Wire

Description	Belt Thickness	Min. Drum Dia.	Order No.	kg
-------------	----------------	----------------	-----------	----

Stainless Steel 316L (SS), Strip Length 300 mm

Box Content : 12 Strips

M61LXSW	0,8-1,6 mm	25 mm	42 714 26 17	0.2
M61LSW	1,6-2,4 mm	25 mm	42 714 26 14	0.2
M61.2LSW	1,6-2,4 mm	30 mm	42 714 26 51	
M61.2LNW	2,4-3,2 mm	30 mm	42 714 26 52	
M62LXSW	0,8-1,6 mm	50 mm	42 714 26 27	0.2
M62LSW	1,6-2,4 mm	50 mm	42 714 26 24	0.2
M62LNW	2,4-3,2 mm	50 mm	42 714 26 25	0.2
M62LW	3,2-4,0 mm	50 mm	42 704 26 26	
M62.5LNW	2,4-3,2 mm	60 mm	42 714 26 72	
M63LW	3,2-4,0 mm	75 mm	42 704 26 36	



Stainless Steel 316L (SS), Strip Length 600 mm

Box Content : 10 Strips

M61LXSW	0,8-1,6 mm	25 mm	42 714 56 17	0.2
M61LSW	1,6-2,4 mm	25 mm	42 714 56 14	0.2
M61.2LSW	1,6-2,4 mm	30 mm	42 714 56 51	
M61.2LNW	2,4-3,2 mm	30 mm	42 714 56 52	
M62LXSW	0,8-1,6 mm	50 mm	42 714 56 27	0.2
M62LSW	1,6-2,4 mm	50 mm	42 714 56 24	0.2
M62LNW	2,4-3,2 mm	50 mm	42 714 56 25	0.2
M62LW	3,2-4,0 mm	50 mm	42 704 56 26	
M62.5LNW	2,4-3,2 mm	60 mm	42 714 56 72	
M63LW	3,2-4,0 mm	75 mm	42 704 56 36	

- Material: **Stainless Steel 316L (1.4404)**
Chromium Steel 430 (1.4016)

- Belt Thickness: **0.8 - 4.0 mm**
- Pitch: **2.54 mm**
- Wire Dimension: **0.9 x 0.5 mm**

Stainless Steel 316L (SS), Strip Length 1200 mm

Box Content : 10 Strips

M61.2LSW	1,6-2,4 mm	30 mm	42 714 86 51	
M61.2LNW	2,4-3,2 mm	30 mm	42 714 86 52	
M62.5LNW	2,4-3,2 mm	60 mm	42 714 86 72	

Edelstahl 1.4404 (SS), Streifenlänge 1500 mm

Schachtelinhalt : 10 Streifen

M61.2LSW	1,6-2,4 mm	30 mm	42 714 36 51	
M61.2LNW	2,4-3,2 mm	30 mm	42 714 36 52	
M62.5LNW	2,4-3,2 mm	60 mm	42 714 36 72	

Rectangular Wire Fasteners M70

Pitch 3.175 mm, Welded on Barred Wire

Stainless Steel 316L (SS), Strip Length 300 mm

Box Content : 12 Strips

M74XSW	2,0-3,0 mm	100 mm	42 754 27 90	0.6
M74SW	3,0-4,0 mm	100 mm	42 754 27 91	0.6
M74NW	4,0-5,0 mm	100 mm	42 754 27 92	0.6
M74LW	4,5-5,5 mm	100 mm	42 754 27 93	0.6



Stainless Steel 316L (SS), Strip Length 600 mm

Box Content : 10 Strips

M74XSW	2,0-3,0 mm	100 mm	42 754 57 90	0.9
M74SW	3,0-4,0 mm	100 mm	42 754 57 91	0.9
M74NW	4,0-5,0 mm	100 mm	42 754 57 92	0.9
M74LW	4,5-5,5 mm	100 mm	42 754 57 93	0.9

- Material: **Stainless Steel 316L (1.4404)**

- Belt Thickness: **2.0 - 5.5 mm**
- Pitch: **3.175 mm**
- Wire Dimension: **1.2 x 1.0 mm**

- Barred Fasteners
- Box does not include Connecting Pins

Please see pages 45 -46 for Connecting Pins

Rectangular Wire Fasteners M70

Pitch 3.175 mm, Welded on Barred Wire

Description	Belt Thickness	Min. Drum Dia.	Order No.	kg
-------------	----------------	----------------	-----------	----

Stainless Steel 316L (SS), Strip Length 1200 mm
Box Content : 10 Strips

M74XSW	2,0-3,0 mm	100 mm	42 754 87 90	0.6
M74SW	3,0-4,0 mm	100 mm	42 754 87 91	0.6
M74NW	4,0-5,0 mm	100 mm	42 754 87 92	0.6



Stainless Steel 316L (SS), Strip Length 1500 mm
Box Content : 10 Strips

M74XSW	2,0-3,0 mm	100 mm	42 754 37 90	0.9
M74SW	3,0-4,0 mm	100 mm	42 754 37 91	0.9
M74NW	4,0-5,0 mm	100 mm	42 754 37 92	0.9

- Material: **Stainless Steel 316L (1.4404)**
- Belt Thickness: **1.0 - 5.0 mm**
- Pitch: **3.175 mm**
- Wire Dimension: **1.2 x 1.0 mm**

- Barred Fasteners
- Box does not include Connecting Pins

Round Wire Fasteners R70

Standard Design, Pitch 3.175 mm, Welded on Barred Wire

Stainless Steel 316L (SS), Strip Length 300 mm
Box Content : 12 Strips

R72LSW	2.0-3.0 mm	50 mm	42 774 17 21	0.3
R72LNW	3.0-4.0 mm	50 mm	42 774 17 22	0.4
R73LSW	2,0-3,0 mm	75 mm	42 774 27 31	0.4
R73LNW	3,0-4,0 mm	75 mm	42 774 27 32	0.5
R73LLW	4,0-5,0 mm	75 mm	42 774 27 33	0.5

Stainless Steel 316L (SS), Strip Length 600 mm
Box Content : 10 Strips

R72SW	2.0-3.0 mm	50 mm	42 774 57 21	0.6
R72NW	3.0-4.0 mm	50 mm	42 774 57 22	0.6
R73LSW	2,0-3,0 mm	75 mm	42 774 57 31	0.8
R73LNW	3,0-4,0 mm	75 mm	42 774 57 32	0.8
R73LLW	4,0-5,0 mm	75 mm	42 774 57 33	0.8



Stainless Steel 316L (SS), Strip Length 1200 mm
Box Content : 10 Strips

R72LSW	2,0-3,0 mm	50 mm	42 774 87 21	0.6
R72LNW	3,0-4,0 mm	50 mm	42 774 87 22	0.6
R73LSW	2,0-3,0 mm	75 mm	42 714 07 34	0.8
R73LNW	3,0-4,0 mm	75 mm	42 774 07 32	0.8
R73LLW	4,0-5,0 mm	75 mm	42 774 07 33	0.8

- Material: **Stainless Steel 316L (1.4404)**
- Belt Thickness: **2.0 - 5.0 mm**
- Pitch: **3.175 mm**
- R72 = flattened round wire 0.9x1,05 mm
- R73 = flattened round wire 0.9x1,05 mm

- Barred Fasteners
- Box does not include Connecting Pins

Stainless Steel 316L (SS), Strip Length 1500 mm
Box Content : 10 Strips

R72LSW	2,0-3,0 mm	50 mm	42 774 37 21	0.6
R72LNW	3,0-4,0 mm	50 mm	42 774 37 22	0.6
R73LSW	2,0-3,0 mm	75 mm	42 774 37 34	0.8
R73LNW	3,0-4,0 mm	75 mm	42 774 37 32	0.8
R73LLW	4,0-5,0 mm	75 mm	42 774 37 33	0.8

Please see pages 45 -46 for Connecting Pins

Round Wire Fasteners R80

Standard Design, Pitch 3.67 mm, Welded on Barred Wire

Description	Belt Thickness	Min. Drum Dia.	Order No.	kg
-------------	----------------	----------------	-----------	----

Stainless Steel 316L (SS), Strip Length 300 mm

Box Content : 12 Strips

R82	3.0-4.0 mm	50 mm	42 704 18 22	0.5
R83	4.0-5.0 mm	75 mm	42 704 18 32	0.6
R84	5.0-6.0 mm	100 mm	42 704 18 42	0.7
R85	6.0-8.0 mm	125 mm	42 704 18 52	0.8
R86	8.0-9.0 mm	150 mm	42 704 18 62	0.9



Stainless Steel 316L (SS) Strip Length 600 mm

Box Content : 10 Strips

R82	3.0-4.0 mm	50 mm	42 704 58 29	1.0
R83	4.0-5.0 mm	75 mm	42 704 58 32	1.2
R84	5.0-6.0 mm	100 mm	42 704 58 42	1.4
R85	6.0-8.0 mm	125 mm	42 704 58 52	1.6
R86	8.0-9.0 mm	150 mm	42 704 58 62	1.8

- Material: **Stainless Steel 316L (1.4404)**
- Belt Thickness: **3.0 - 9.0 mm**
- Pitch: **3.67 mm**
- Wire Diameter: **1.4 mm**

- Barred Fasteners
- Box does not include Connecting Pins

Special Steel (C), Strip Length 300 mm

Box Content : 12 Strips

R82	3.0-4.0 mm	50 mm	42 707 18 22	0.6
R83	4.0-5.0 mm	75 mm	42 707 18 32	0.7
R84	5.0-6.0 mm	100 mm	42 707 18 42	0.8
R85	6.0-8.0 mm	125 mm	42 707 18 52	0.9
R86	8.0-9.0 mm	150 mm	42 707 18 62	1.0



Special Steel (C), Strip Length 600 mm

Box Content : 10 Strips

R82	3.0-4.0 mm	50 mm	42 707 58 22	1.0
R83	4.0-5.0 mm	75 mm	42 707 58 32	1.2
R84	5.0-6.0 mm	100 mm	42 707 58 42	1.4
R85	6.0-8.0 mm	125 mm	42 707 58 52	1.6
R86	8.0-9.0 mm	150 mm	42 707 58 62	1.8

- Material: **Special Steel**
- Belt Thickness: **3.0 - 9.0 mm**
- Pitch: **3.67 mm**
- Wire Diameter: **1.4 mm**

- Barred Fasteners
- Box does not include Connecting Pins

Please see pages 45 -46 for Connecting Pins

Round Wire Fasteners R20

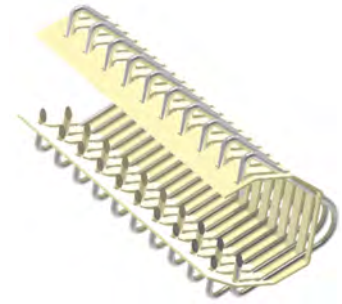
Standard Design, Pitch 3.175 mm, Carded

Description	Belt Thickness	Min. Drum Dia.	Order No.	kg
-------------	----------------	----------------	-----------	----

Stainless Steel 316L (SS), Strip Length 300 mm

Box Content : 12 Strips

R22SP	2.0-3.0 mm	50 mm	42 104 22 21	0.3
R22NP	3.0-4.0 mm	50 mm	42 104 22 22	0.3
R23SP	2.0-3.0 mm	75 mm	42 104 22 31	0.4
R23NP	3.0-4.0 mm	75 mm	42 104 22 32	0.4



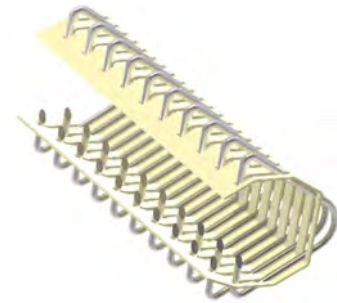
- Material: **Stainless Steel 316L (1.4404)**
- Belt Thickness: **2.0 - 4.0 mm**
- Pitch: **3.175 mm**
- Wire Diameter: **1.0 mm**

- Carded
- Box does not include Connecting Pins

Steel, Galvanized (G), Strip Length 300 mm

Box Content : 12 Strips

R22 SP	2.0-3.0 mm	50 mm	42 101 22 21	0.3
R22 NP	3.0-4.0 mm	50 mm	42 101 22 22	0.3
R23 SP	2.0-3.0 mm	75 mm	42 101 22 31	0.4
R23 NP	3.0-4.0 mm	75 mm	42 101 22 32	0.4



- Material: **Steel, Galvanized**
- Belt Thickness: **2.0 - 4.0 mm**
- Pitch: **3.175 mm**
- Wire Diameter: **1.0 mm**

- Carded
- Box does not include Connecting Pins

Please see pages 45 -46 for Connecting Pins

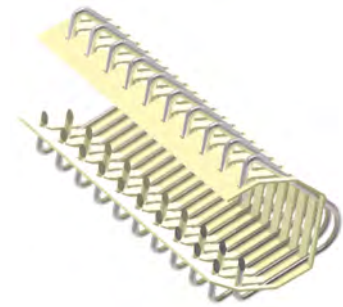
Round Wire Fasteners R30

Standard Design, Pitch 3.67 mm, Carded

Description	Belt Thickness	Min. Drum Dia.	Order No.	kg
-------------	----------------	----------------	-----------	----

Stainless Steel 316L (SS), Strip Length 300 mm
 Box Content : 12 Strips

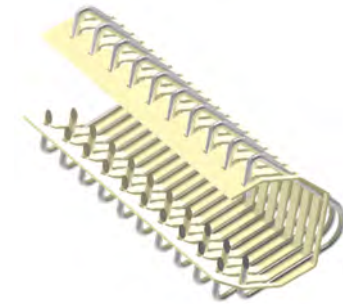
R32	3.0-4.0 mm	50 mm	42 104 13 22	0.6
R33	4.0-5.0 mm	75 mm	42 104 13 32	0.6
R34	5.0-6.0 mm	100 mm	42 104 13 42	0.7
R35	6.0-8.0 mm	125 mm	42 104 13 52	0.8
R36	8.0-9.0 mm	150 mm	42 104 13 62	0.9



- Material: **Stainless Steel 316L (1.4404)**
- Belt Thickness: **3.0 - 9.0 mm**
- Pitch: **3.67 mm**
- Wire Diameter: **1.4 mm**
- Carded
- Box does not include Connecting Pins

Steel, Galvanized (G), Strip Length 300 mm
 Box Content : 12 Strips

R32	3.0-4.0 mm	50 mm	42 101 13 22	0.6
R33	4.0-5.0 mm	75 mm	42 101 13 32	0.6
R34	5.0-6.0 mm	100 mm	42 101 13 42	0.7
R35	6.0-8.0 mm	125 mm	42 101 13 52	0.8
R36	8.0-9.0 mm	150 mm	42 101 13 62	0.9



- Material: **Steel, Galvanized**
- Belt Thickness: **3.0 - 9.0 mm**
- Pitch: **3.67 mm**
- Wire Diameter: **1.4 mm**
- Carded
- Box does not include Connecting Pins

Please see pages 45 -46 for Connecting Pins

Description	Pitch (mm)	Order No.	kg
-------------	------------	-----------	----

Plier Lacer MZ
with fixed Fastener Retainer

MZ 50 (Max. press width 60 mm)	1.7	42 050 51 51	1.6
MZ 60 (Max. press width 60 mm)	2.54	42 050 61 63	1.6



The Plier Lacer MZ50 and MZ60, with respective pitches of 1.7 mm and 2.54 mm, are easily used in any location. Belts wider than 60mm can be laced by moving the plier along the belt in steps.

Lacing Tool MATOLEVER
with fixed Fastener Retainer

MATOLEVER 50 (Max. belt width 60 mm)	1.7	42 480 86 50	2.5
MATOLEVER 60 (Max. belt width 60 mm)	2.54	42 480 86 60	2.5



The MATOLEVER 50 and 60, with respective pitches of MATO Fasteners 1.7 mm and 2.54 mm, are designed for easy installation at the laundry machine.

Description	Comb Width	Pitch (mm)	Order No.	kg
-------------	------------	------------	-----------	----

Eco Vice Lacer MA
With fixed Fastener Retainer

MA50-150	150 mm	1.7	42 150 50 51	1.9
MA60-150	150 mm	2.54	42 150 61 63	1.9
MA60-200	200 mm	2.54	42 200 61 63	2.3
MA20/70-150	150 mm	3.175	42 150 20 70	1.9
MA20/70-200	200 mm	3.175	42 200 20 70	2.3
MA30/80-150	150 mm	3.67	42 150 30 80	1.9
MA30/80-200	200 mm	3.67	42 200 30 80	2.4



The Vice Lacer MA is a budget-priced tool that can be used for widths of 150 or 200 mm. Since the retainer is fixed, each pitch requires a separate lacer.

Profi Vice Lacer MATOVICE
Without Fastener Retainer UNICOMB

MATOVICE 120 (Max. press width 120 mm)			42 120 00 00	2.3
---	--	--	--------------	-----



The patented Vice Lacer MATOVICE is designed for a perfect installation. This special jaw construction achieves an optimum installation pressure, resulting in maximum holding power. The Fastener Retainer (not included) can be replaced if different pitches are required. All Fastener Retainers (Universal Comb UNICOMB) can be used.

Fastener Combs UNICOMB VH for Profi-Vice Lacers
Comb Width 300 mm

UNICOMB 50-300VH	1.7	42 480 11 80	0.5
UNICOMB 60-300VH	2.54	42 480 11 50	0.5
UNICOMB 20/70-300VH	3.175	42 480 11 30	0.5
UNICOMB 30/80-300VH	3.67	42 480 11 10	0.5
UNICOMB 35/85-300VH	3.67	42 480 11 20	0.5
UNICOMB D71-300VH	4	42 480 10 60	0.5
UNICOMB D72/73-300VH	4	42 480 10 70	0.5

Note :

UNICOMB 30/80 for Belt Fastener R32, R33, R34, R82, R83, R84

UNICOMB 35/85 for Belt Fastener R35, R36, R85, M74

UNICOMB 71 and D72/73 for Belt Fastener D71, D72, D73 (see page 67)



The exchangeable Comb UNICOMB is designed so that all comb sizes can be used alternately with tools MATOVICE or HYDVICE. They can be exchanged without tools. Wider belts are easily installed in multiple steps. The standard comb width is 300 mm.

Description	Comb Width	Pitch (mm)	Order No.	kg
-------------	------------	------------	-----------	----

Lacing Tool MATOROLL

Without Fastener Retainer (Universal Comb UNICOMB)

MATOROLL 600			42 280 20 00	14.2
	600mm			
MATOROLL 1000			42 280 50 00	20.2
	1000mm			
MATOROLL 1500			42 280 00 00	27.7
	1500mm			



The MATOROLL Lacer installs the fasteners by applying the installation pressure in stages until the fastener is fully embedded. Choice of combs are available, purchased separately.

Fastener Comb UNICOMB RH for Lacing Tool MATOROLL

Comb Width 600 mm

UNICOMB 50-600RH	1.7		42 480 21 80	0.9
UNICOMB 60-600RH	2.54		42 480 21 50	0.9
UNICOMB 20/70-600RH	3.175		42 480 21 30	0.9
UNICOMB 30/80-600RH	3.67		42 480 21 10	0.9
UNICOMB 35/85-600RH	3.67		42 480 21 20	0.9
UNICOMB D71-600RH	4		42 480 30 60	0.9
UNICOMB D72/73-600RH	4		42 480 30 70	0.9

Comb Width 1000 mm

UNICOMB 50-1000RH	1.7		42 480 41 80	1.5
UNICOMB 60-1000RH	2.54		42 480 41 50	1.5
UNICOMB 20/70-1000RH	3.175		42 480 41 30	1.5
UNICOMB 30/80-1000RH	3.67		42 480 41 10	1.5
UNICOMB 35/85-1000RH	3.67		42 480 41 20	1.5
UNICOMB D71-1000RH	4		42 480 51 60	1.5
UNICOMB D72/73-1000RH	4		42 480 51 70	1.5

Comb Width 1500 mm

UNICOMB 50-1500RH	1.7		42 480 61 80	2.2
UNICOMB 60-1500RH	2.54		42 480 61 50	2.2
UNICOMB 20/70-1500RH	3.175		42 480 61 30	2.2
UNICOMB 30/80-1500RH	3.67		42 480 61 10	2.2
UNICOMB 35/85-1500RH	3.67		42 480 61 20	2.2
UNICOMB D71-1500RH	4		42 480 60 60	2.2
UNICOMB D72/73-1500RH	4		42 480 60 70	2.2

Comb Pin UNICOMB (Spare)

Pin Length 1500 mm

Comb Pin 1.5-1500 (green)			42 481 15 15	0.1
Comb Pin 1.7-1500 (red)			42 481 17 15	0.1
Comb Pin 1.8-1500 (black)			42 481 18 15	0.1
Comb Pin 2.0-1500 (blue)			42 481 20 15	0.1



The exchangeable UNICOMB is designed so all comb sizes can be used alternately with the tools MATOVICE or HYDVICE. They can be exchanged without tools. Wider belts are easily installed in multiple steps. The standard comb width is 300 mm.

Note :

UNICOMB 30/80 for Belt Fastener R32, R33, R34, R82, R83, R84

UNICOMB 35/85 for Belt Fastener R35, R36, R85, R86

UNICOMB D71 and D72/73 for Belt Fastener D71, D72, D73 (see page 41)

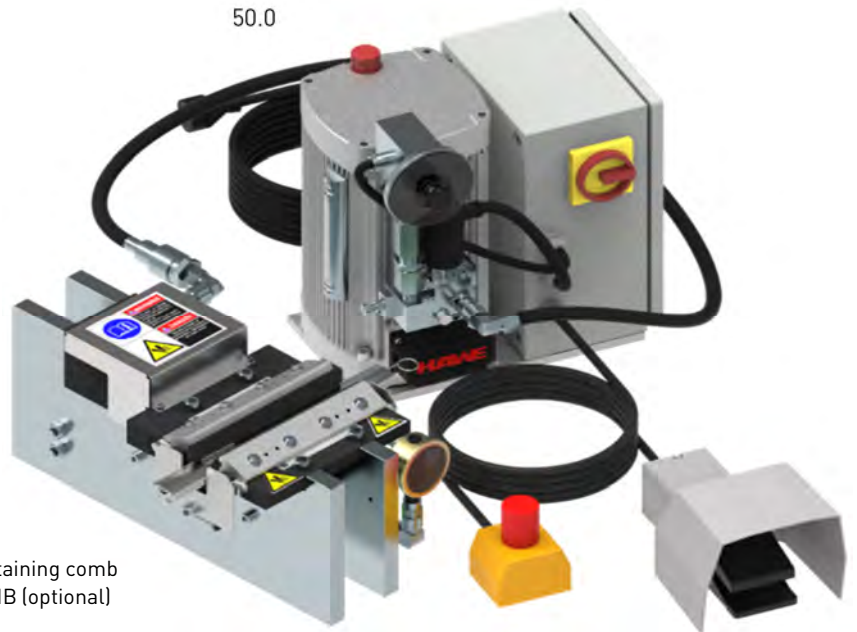
Description	Pressing Width	Order No.	kg
Hydraulic Installation Machines			

Hydr. Installation Machine 200M-1 42 200 00 24 50.0
 400V / 50Hz / 3Phases
 1,17 l/min, 500 bar

Hydr. Installation Machine 200M-2 42 200 00 25 50.0
 230V / 60Hz / 3Phases
 1,17 l/min, 500 bar

Hydr. Installation Machine 200M-3 42 200 00 26 50.0
 230V / 50Hz / 1Phase
 0,8 l/min, 500 bar

Hydraulic Power Unit PA 200-...



Hook retaining comb UNICOMB (optional)

Hydr. Installation Machine 400M-1 42 200 00 27 250.0
 3,2 l/min, 400V / 50Hz / 3Phases
 500 bar

The hydraulic installation machines 200 / 400M are used for high-quality and economical patch splices. All belt widths can be processed with these machines, if necessary by repeated application. Installation Machines with program control (touch screen) are also available on request.



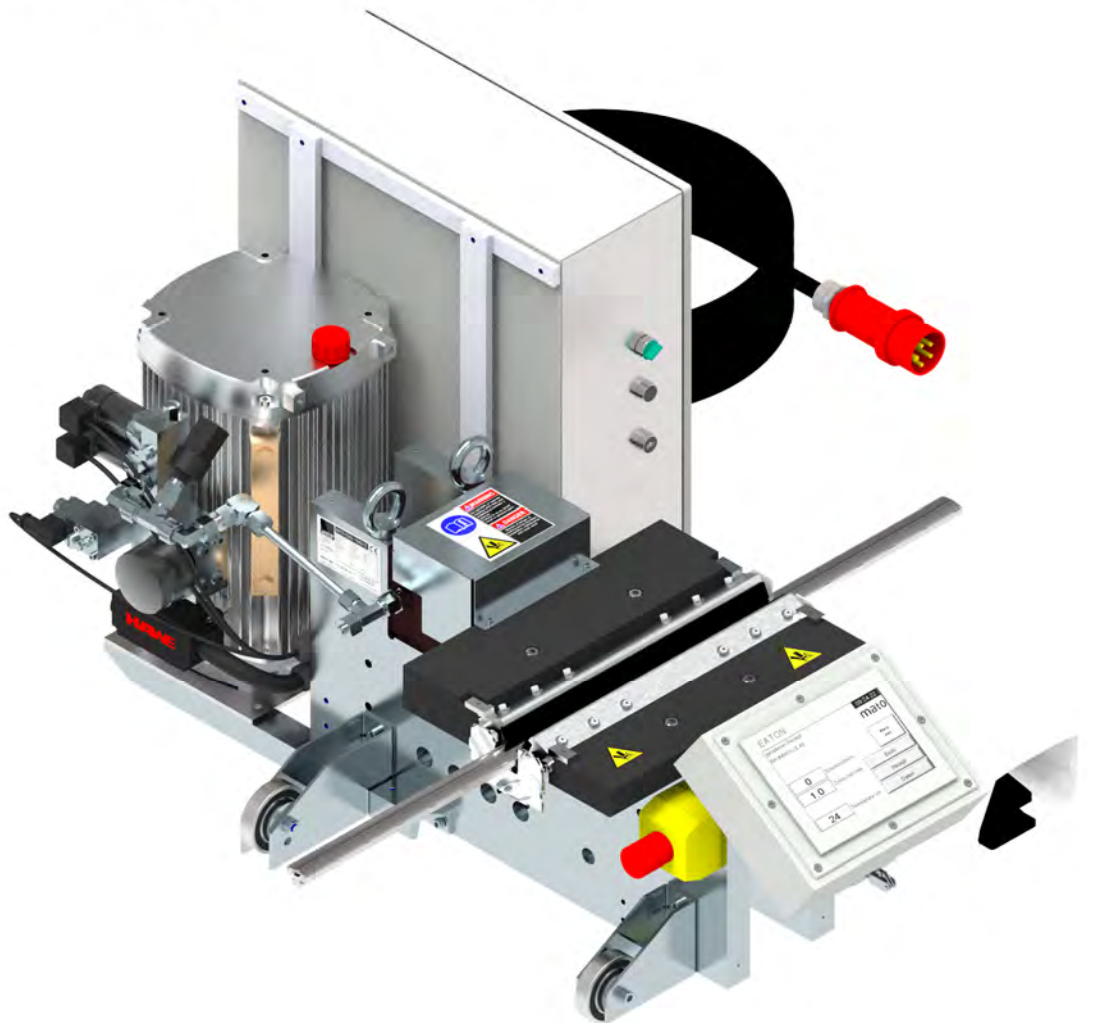
Hook retaining comb UNICOMB (option)

Hook retaining combs UNICOMB for Installation Machines 200 / 400
 see page 42

Description	Order No.	kg
-------------	-----------	----

Hydraulic Installation Machines

Hydr. Installation Machine 400E-1 400V / 50Hz / 3Phases 3.2 l/min, 500 bar	42 200 45 10	265.0
--	--------------	-------



Hook retaining comb
UNICOMB (optional)

Operation via a touch screen. All data such as pre-pressure, main pressure and time can be assigned to a belt type and saved. The values are also checked on the screen. Up to 99 data records can be saved.

Techn. Data
Working Width 400mm
Max pressure 500bar
Max Pressing force 251 kN
Overall dimensions approx. 1050 x 530 x 500mm

Hook retaining combs UNICOMB see page 42
Clamping combs available on request

Selection Chart











Connecting Pins for Wire Systems M + R

The MATO Connecting Pins are aligned in design and material composition to the MATO Fasteners. Choosing the right Connecting Pin is important for reaching the optimum performance of the splice in your application.

Connecting Pin Sizes

		Fastener					
	M51.2SW	R22SW	R22NW				
	M51.2NW	R23SW	R23NW				
M61LXSW		M62NW					
M61XSW		M62LW					
	M61LSW	M62LNW					
	M61SW		R32	R33	R34	R35	R36
M62LXSW	R72LSW	R72LNW					
M62XSW							
	M62LSW	R73LSW					
	M62SW	R73LNW	R73LLW				
		M63NW					
		M63LW					
			M74NW				
	M74XSW	M74SW	M74LW				
			R82	R83	R84	R85	R86
		Connecting Pin					
MK12...	MK15...	MK18...	MK20...	MK25...	MK30...	MK35...	MK40...
Ø 1,2 mm	Ø 1,5 mm	Ø 1,8 mm	Ø 2,0 mm	Ø 2,5 mm	Ø 3,0 mm	Ø 3,5 mm	Ø 4,0 mm
		Comb Pin					
Ø 1,5 mm	Ø 1,7 mm	Ø 2,0 mm	Ø 2,6 mm			2,6 x 3,6 mm	

Choosing the Connecting Pin Type

Connetcting Pin	Code	Pin Wear Properties	Fastener Wear Properties	Chimical Resistency	Temperature Consistency	Magnetic	Flexibility
 Nyl.Coated Spring Steel	NST	●●●●●	●●●●●	●●○○○	●●○○○	Yes	●●●●○
 Nyl.Coated Stainless Steel	NSS	●●●●●	●●●●●	●●●●○	●●○○○	Slightly	●●●●○
 Solid Nylon	NY	●●●●●	●●●●●	●●●●●	●●○○○	No	●●●●●
 Solid Nylon Notched	NYN	●●●●●	●●●●●	●●●●●	●●○○○	No	●●●●●
 Solid Stainless Steel	WSS	●●●○○	●●●○○	●●●●○	●●●●●	Slightly	●○○○○
 Solid Stainless Steel Notched	WSSN	●●●●●	●●●○○	●●●●○	●●●●●	Slightly	●○○○○
 Nyl.Coated Steel Cable	NC	●●●●●	●●●●●	●●●○○	●●○○○	yes	●●●●○
 Nyl.Coated Stainless Steel Cable	NCS	●●●●●	●●●●●	●●●●○	●●○○○	Slightly	●●●●○
 Solid PEEK	PE*	●●●●●	●●●●●	●●●●●	●●●●○	No	●●●●●
 Solid PEEK, Notched	PEN*	●●●●●	●●●●●	●●●●●	●●●●○	No	●●●●●

poor ○○○○

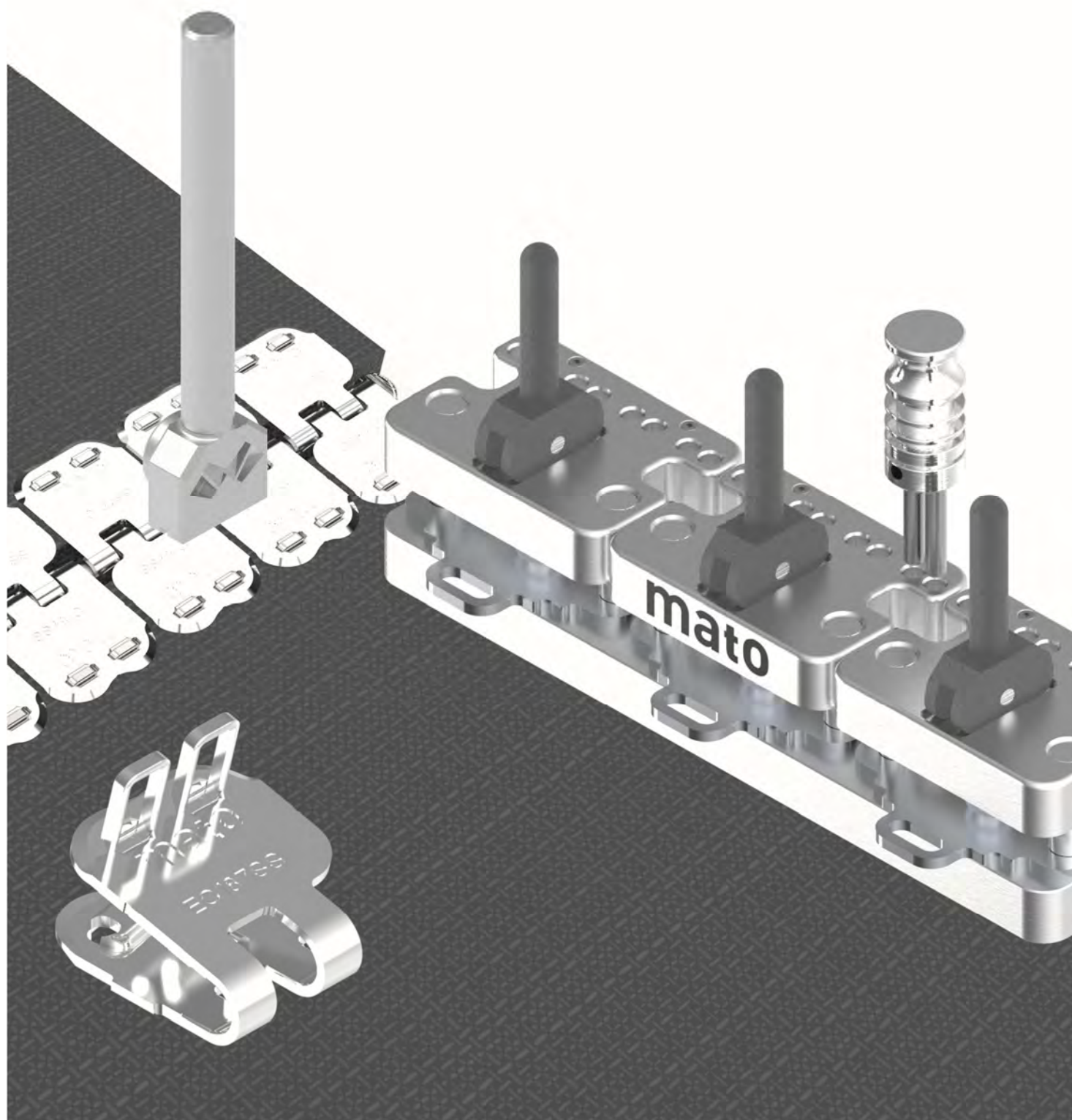
excellent ●●●●●

Description	Pin Dia. (mm)	Order No.	kg
Connecting Pins MK - Nylon Steel NST			
MK15 NST	1.5	42 501 01 50	0.3
MK18 NST	1.8	42 501 01 80	0.3
MK20 NST	2.0	42 501 02 00	0.3
MK25 NST	2.5	42 501 02 50	0.6
MK30 NST	3.0	42 501 03 00	0.9
MK35 NST	3.5	42 501 03 50	1.0
MK40 NST	4.0	42 501 04 00	1.2
Connecting Pins MK - Nylon Stainless NSS			
MK15 NSS	1.5	42 502 01 50	0.3
MK18 NSS	1.8	42 502 01 80	0.3
MK20 NSS	2.0	42 502 02 00	0.3
MK25 NSS	2.5	42 502 02 50	0.6
MK30 NSS	3.0	42 502 03 00	0.9
MK35 NSS	3.5	42 502 03 50	1.0
MK40 NSS	4.0	42 502 04 00	1.2
Connecting Pins MK - Solid Nylon NY			
MK15 NY	1.5	42 503 01 50	0.1
MK18 NY	1.8	42 503 01 80	0.1
MK20 NY	2.0	42 503 02 00	0.1
MK25 NY	2.5	42 503 02 50	0.2
MK30 NY	3.0	42 503 03 00	0.2
MK35 NY	3.5	42 503 03 50	0.3
MK40 NY	4.0	42 503 04 00	0.4
Connecting Pins MK - Nylon Cable NC			
MK15 NC	1.5	42 504 01 50	0.2
MK18 NC	1.8	42 504 01 80	0.2
MK20 NC	2.0	42 504 02 00	0.3
MK25 NC	2.5	42 504 02 50	0.4
MK30 NC	3.0	42 504 03 00	0.7
Connecting Pins MK - Nylon Cable Stainless NCS			
MK15 NCS	1.5	42 505 01 50	0.2
MK20 NCS	2.0	42 505 02 00	0.3
MK25 NCS	2.5	42 505 02 50	0.4
MK30 NCS	3.0	42 505 03 00	0.7
MK35 NCS	3.5	42 505 03 50	0.7
MK40 NCS	4.0	42 505 04 00	0.8
Connecting Pins MK - Wire Stainless WSS			
MK12 WSS	1.2	42 507 01 20	0.4
MK15 WSS	1.5	42 507 01 50	0.6
MK18 WSS	1.8	42 507 01 80	0.7
MK20 WSS	2.0	42 507 02 00	0.8
MK25 WSS	2.5	42 507 02 50	1.2
Connecting Pins MK - Wire Stainless WSSN			
MK12 WSSN	1.2	42 508 01 20	0.4
MK15 WSSN	1.5	42 508 01 50	0.6
MK18 WSSN	1.8	42 508 01 80	0.7

Connecting Pins MK - 30 Meter Coil



mato



Description	Belt-thickness	Order No.
-------------	----------------	-----------

Belt Fastener EC62G with Connecting ECP62NC
 Belt Strength up to 200 kN/m, Minimum Pulley Diameter 50 mm
 Galvanized Steel Fasteners - G, Nylon Covered Steel Cable Pins NC

EC62G-300NC	1.5-3.2	38 002 08
EC62G-400NC	1.5-3.2	38 002 15
EC62G-450NC	1.5-3.2	38 002 22
EC62G-500NC	1.5-3.2	38 002 39
EC62G-600NC	1.5-3.2	38 002 46
EC62G-750NC	1.5-3.2	38 002 53
EC62G-800NC	1.5-3.2	38 002 60
EC62G-900NC	1.5-3.2	38 002 77
EC62G-1000NC	1.5-3.2	38 002 84
EC62G-1050NC	1.5-3.2	38 002 91
EC62G-1200NC	1.5-3.2	38 003 07
EC62G-1500NC	1.5-3.2	38 003 14
EC62G-1200/bulk50*	1.5-3.2	38 003 52
EC62G-1500/bulk50*	1.5-3.2	38 003 69
EC62G-1800/bulk50*	1.5-3.2	38 003 76

Box content:
 4 Sets of Lacing (8 Strips + 4 Connecting Pins +
 10 Retaining Washers).



* 25 Sets (50 Strips) without Connecting Pins + Washers

Belt Fastener EC62G with Connecting ECP62SP
 Belt Strength up to 200 kN/m, Minimum Pulley Diameter 50 mm
 Galvanized Steel Fasteners - G, Steel Spring Wire Pin - SP

EC62G-300SP	1.5-3.2	38 003 90
EC62G-450SP	1.5-3.2	38 004 06
EC62G-500SP	1.5-3.2	38 004 13
EC62G-600SP	1.5-3.2	38 004 37
EC62G-750SP	1.5-3.2	38 004 44
EC62G-900SP	1.5-3.2	38 004 51
EC62G-1000SP	1.5-3.2	38 004 75
EC62G-1050SP	1.5-3.2	38 004 82
EC62G-1200SP	1.5-3.2	38 005 05
EC62G-1500SP	1.5-3.2	38 005 12

Box content:
 4 Sets of Lacing (8 Strips + 4 Connecting Pins +
 10 Retaining Washers).



Description	Belt-thickness	Order No.
-------------	----------------	-----------

Belt Fastener EC125G with Connecting Pin ECP125NC
 Belt Strength up to 315 kN/m, Minimum Pulley Diameter 75mm
 Galvanized Steel Fasteners- G, Nylon Covered Steel Cable Pins NC

EC125G-100NC**	3.2-4.8	38 010 07
EC125G-250NC	3.2-4.8	38 010 14
EC125G-300NC	3.2-4.8	38 010 21
EC125G-350NC	3.2-4.8	38 010 38
EC125G-400NC	3.2-4.8	38 010 45
EC125G-450NC	3.2-4.8	38 010 52
EC125G-500NC	3.2-4.8	38 010 69
EC125G-600NC	3.2-4.8	38 007 03
EC125G-750NC	3.2-4.8	38 010 76
EC125G-800NC	3.2-4.8	38 010 83
EC125G-900NC	3.2-4.8	38 007 34
EC125G-1000NC	3.2-4.8	38 011 06
EC125G-1050NC	3.2-4.8	38 011 13
EC125G-1200NC	3.2-4.8	38 011 37
EC125G-1500NC	3.2-4.8	38 011 44
EC125G-1200/bulk50*	3.2-4.8	38 011 51
EC125G-1500/bulk50*	3.2-4.8	38 011 68
EC125G-1800/bulk50*	3.2-4.8	38 011 75

Box content:

4 Sets of Lacing (8 Strips + 4 Connecting Pins + 10 Retaining Washers).

** 10 Sets (20 Strips

+ 10 Connecting Pins + Washers)



* 25 Sets (50 Strips) without Connecting Pins + Washers

Belt Fastener EC125G with Connecting Pin ECP125SP
 Belt Strength up to 315 kN/m, Minimum Pulley Diameter 75mm
 Galvanized Steel Fasteners- G, Steel Spring Wire Pin - SP

EC125G-400SP	3.2-4.8	38 012 05
EC125G-450SP	3.2-4.8	38 012 12
EC125G-500SP	3.2-4.8	38 012 36
EC125G-600SP	3.2-4.8	38 012 43
EC125G-750SP	3.2-4.8	38 012 50
EC125G-800SP	3.2-4.8	38 012 67
EC125G-900SP	3.2-4.8	38 012 74
EC125G-1000SP	3.2-4.8	38 012 81
EC125G-1050SP	3.2-4.8	38 013 04
EC125G-1200SP	3.2-4.8	38 012 98
EC125G-1500SP	3.2-4.8	38 013 11

Box content:

4 Sets of Lacing (8 Strips + 4 Connecting Pins + 10 Retaining Washers).



Description Belt-thickness Order No.

Belt Fastener EC187G with Connecting Pin ECP187NC
 Belt Strength up to 400 kN/m, Minimum Pulley Diameter 100 mm
 Galvanized Steel Fasteners- G, Nylon Covered Steel Cable Pins NC

EC187G-100NC**	4.8-6.4	38 018 09
EC187G-300NC	4.8-6.4	38 018 16
EC187G-400NC	4.8-6.4	38 018 23
EC187G-450NC	4.8-6.4	38 018 30
EC187G-500NC	4.8-6.4	38 018 47
EC187G-600NC	4.8-6.4	38 011 99
EC187G-750NC	4.8-6.4	38 018 54
EC187G-800NC	4.8-6.4	38 018 61
EC187G-900NC	4.8-6.4	38 012 29
EC187G-1000NC	4.8-6.4	38 018 85
EC187G-1050NC	4.8-6.4	38 018 92
EC187G-1200NC	4.8-6.4	38 019 15
EC187G-1500NC	4.8-6.4	38 019 22
EC187G-1200/bulk50*	4.8-6.4	38 019 53
EC187G-1500/bulk50*	4.8-6.4	38 019 60
EC187G-1800/bulk50*	4.8-6.4	38 019 77

Box content:

4 Sets of Lacing (8 Strips + 4 Connecting Pins + 10 Retaining Washers).

** 10 Sets (20 Strips + 10 Connecting Pins + Washers)



* 25 Sets (50 Strips) without Connecting Pins + Washers

Belt Fastener EC187G with Connecting Pin ECP187SP
 Belt Strength up to 400 kN/m, Minimum Pulley Diameter 100 mm
 Galvanized Steel Fasteners- G, Steel Spring Wire Pin - SP

EC187G-450SP	4.8-6.4	38 020 04
EC187G-500SP	4.8-6.4	38 020 11
EC187G-600SP	4.8-6.4	38 020 28
EC187G-750SP	4.8-6.4	38 020 35
EC187G-900SP	4.8-6.4	38 020 42
EC187G-1000SP	4.8-6.4	38 020 59
EC187G-1050SP	4.8-6.4	38 020 66
EC187G-1200SP	4.8-6.4	38 020 73
EC187G-1500SP	4.8-6.4	38 020 80

Box content:

4 Sets of Lacing (8 Strips + 4 Connecting Pins + 10 Retaining Washers).



Description	Belt-thickness	Order No.
-------------	----------------	-----------

Belt Fastener EC62SS with Connecting ECP62NCS
 Belt Strength up to 200 kN/m, Minimum Pulley Diameter 50 mm
 Stainless Steel Fasteners- SS, Nylon Covered Stainless Steel Cable Pins NCS

EC62SS-300NCS	1.5-3.2	38 004 20
EC62SS-400NCS	1.5-3.2	38 006 04
EC62SS-450NCS	1.5-3.2	38 006 11
EC62SS-500NCS	1.5-3.2	38 006 28
EC62SS-600NCS	1.5-3.2	38 004 68
EC62SS-750NCS	1.5-3.2	38 006 42
EC62SS-800NCS	1.5-3.2	38 006 59
EC62SS-900NCS	1.5-3.2	38 004 99
EC62SS-1000NCS	1.5-3.2	38 006 73
EC62SS-1050NCS	1.5-3.2	38 006 80
EC62SS-1200NCS	1.5-3.2	38 007 10
EC62SS-1500NCS	1.5-3.2	38 007 27
EC62SS-1200/bulk50*	1.5-3.2	38 007 58
EC62SS-1500/bulk50*	1.5-3.2	38 007 65
EC62SS-1800/bulk50*	1.5-3.2	38 007 72

Box content:

4 Sets of Lacing (8 Strips + 4 Connecting Pins + 10 Retaining Washers).



* 25 Sets (50 Strips) without Connecting Pins + Washers

Belt Fastener EC62SS with Connecting ECP62SS
 Belt Strength up to 200 kN/m, Minimum Pulley Diameter 50 mm
 Stainless Steel Fasteners- SS, Stainless Steel Wire Pins SS

EC62SS-300SS	1.5-3.2	38 008 02
EC62SS-450SS	1.5-3.2	38 008 19
EC62SS-500SS	1.5-3.2	38 008 26
EC62SS-600SS	1.5-3.2	38 008 33
EC62SS-750SS	1.5-3.2	38 008 40
EC62SS-900SS	1.5-3.2	38 008 57
EC62SS-1000SS	1.5-3.2	38 008 64
EC62SS-1050SS	1.5-3.2	38 008 71
EC62SS-1200SS	1.5-3.2	38 008 88
EC62SS-1500SS	1.5-3.2	38 008 95

Box content:

4 Sets of Lacing (8 Strips + 4 Connecting Pins + 10 Retaining Washers).



Description	Belt-thickness	Order No.
-------------	----------------	-----------

Belt Fastener EC125SS with Connecting Pin ECP125NCS
 Belt Strength up to 315 kN/m, Minimum Pulley Diameter 75mm
 Stainless Steel Fasteners- SS, Nylon Covered Stainless Steel Cable Pins NCS

EC125SS-100NCS	3.2-4.8	38 013 97
EC125SS-250NCS	3.2-4.8	38 014 03
EC125SS-300NCS	3.2-4.8	38 009 01
EC125SS-350NCS	3.2-4.8	38 014 27
EC125SS-400NCS	3.2-4.8	38 014 58
EC125SS-450NCS	3.2-4.8	38 014 65
EC125SS-500NCS	3.2-4.8	38 014 72
EC125SS-600NCS	3.2-4.8	38 009 56
EC125SS-750NCS	3.2-4.8	38 014 89
EC125SS-800NCS	3.2-4.8	38 014 96
EC125SS-900NCS	3.2-4.8	38 009 87
EC125SS-1000NCS	3.2-4.8	38 015 19
EC125SS-1050NCS	3.2-4.8	38 015 26
EC125SS-1200NCS	3.2-4.8	38 015 33
EC125SS-1500NCS	3.2-4.8	38 015 40
EC125SS-1200/bulk50*	3.2-4.8	38 015 64
EC125SS-1500/bulk50*	3.2-4.8	38 015 71
EC125SS-1800/bulk50*	3.2-4.8	38 015 88

Box content:

4 Sets of Lacing (8 Strips + 4 Connecting Pins + 10 Retaining Washers).

** 10 Sets (20 Strips + 10 Connecting Pins + Washers)



* 25 Sets (50 Strips) without Connecting Pins + Washers

Belt Fastener EC125SS with Connecting Pin ECP125SS
 Belt Strength up to 315 kN/m, Minimum Pulley Diameter 75mm
 Stainless Steel Fasteners- SS, Stainless Steel Wire Pins SS

EC125SS-300SS	3.2-4.8	38 016 01
EC125SS-350SS	3.2-4.8	38 016 18
EC125SS-400SS	3.2-4.8	38 016 25
EC125SS-450SS	3.2-4.8	38 016 32
EC125SS-500SS	3.2-4.8	38 016 49
EC125SS-600SS	3.2-4.8	38 016 56
EC125SS-750SS	3.2-4.8	38 016 63
EC125SS-900SS	3.2-4.8	38 016 70
EC125SS-1000SS	3.2-4.8	38 016 87
EC125SS-1050SS	3.2-4.8	38 016 94
EC125SS-1200SS	3.2-4.8	38 017 00
EC125SS-1500SS	3.2-4.8	38 017 17

Box content:

4 Sets of Lacing (8 Strips + 4 Connecting Pins + 10 Retaining Washers).



Description	Belt-thickness	Order No.
-------------	----------------	-----------

Belt Fastener EC187SS with Connecting Pin ECP187NCS
 Belt Strength up to 400 kN/m, Minimum Pulley Diameter 100 mm
 Stainless Steel Fasteners- SS, Nylon Covered Stainless Steel Cable Pins NCS

EC187SS-100NCS**	4.8-6.4	38 022 02
EC187SS-300NCS	4.8-6.4	38 022 19
EC187SS-400NCS	4.8-6.4	38 022 26
EC187SS-450NCS	4.8-6.4	38 022 33
EC187SS-500NCS	4.8-6.4	38 022 40
EC187SS-600NCS	4.8-6.4	38 014 10
EC187SS-750NCS	4.8-6.4	38 022 57
EC187SS-800NCS	4.8-6.4	38 022 64
EC187SS-900NCS	4.8-6.4	38 014 41
EC187SS-1000NCS	4.8-6.4	38 022 88
EC187SS-1050NCS	4.8-6.4	38 022 95
EC187SS-1200NCS	4.8-6.4	38 023 01
EC187SS-1500NCS	4.8-6.4	38 023 18
EC187SS-1200/bulk50*	4.8-6.4	38 021 58
EC187SS-1500/bulk50*	4.8-6.4	38 021 65
EC187SS-1800/bulk50*	4.8-6.4	38 021 72

Box content:

4 Sets of Lacing (8 Strips + 4 Connecting Pins + 10 Retaining Washers).

** 10 Sets (20 Strips

+ 10 Connecting Pins + Washers)



* 25 Sets (50 Strips) without Connecting Pins + Washers

Belt Fastener EC187SS with Connecting Pin ECP187NCS
 Belt Strength up to 400 kN/m, Minimum Pulley Diameter 100 mm
 Stainless Steel Fasteners- SS, Stainless Steel Wire Pins SS

EC187SS-300SS	4.8-6.4	38 024 00
EC187SS-400SS	4.8-6.4	38 024 17
EC187SS-450SS	4.8-6.4	38 024 24
EC187SS-500SS	4.8-6.4	38 024 31
EC187SS-600SS	4.8-6.4	38 024 48
EC187SS-750SS	4.8-6.4	38 024 55
EC187SS-900SS	4.8-6.4	38 024 62
EC187SS-1000SS	4.8-6.4	38 024 79
EC187SS-1050SS	4.8-6.4	38 024 86
EC187SS-1200SS	4.8-6.4	38 024 93
EC187SS-1500SS	4.8-6.4	38 025 09

Box content:

4 Sets of Lacing (8 Strips + 4 Connecting Pins + 10 Retaining Washers).



Description **Order No.**

Connecting Pin ECP62NC
Nylon Covered Steel Cable, Outside Diameter 2.0 mm

ECP62-300NC	38 026 08
ECP62-400NC	38 026 15
ECP62-450NC	38 026 22
ECP62-500NC	38 026 39
ECP62-600NC	38 026 46
ECP62-750NC	38 026 53
ECP62-800NC	38 026 60
ECP62-900NC	38 026 77
ECP62-1000NC	38 026 84
ECP62-1050NC	38 026 91
ECP62-1200NC	38 027 07
ECP62-1500NC	38 027 14
ECP62-NC 3 Meter*	38 027 21
ECP62-NC 30 Meter*	38 027 38

Packing Unit content:
10 Connecting Pins.
* One coil



Connecting Pin ECP125NC
Nylon Covered Steel Cable, Outside Diameter 3.6 mm

ECP125-100NC	38 027 52
ECP125-250NC	38 027 69
ECP125-300NC	38 027 76
ECP125-350NC	38 027 83
ECP125-400NC	38 027 90
ECP125-450NC	38 028 06
ECP125-500NC	38 028 13
ECP125-600NC	38 028 20
ECP125-750NC	38 028 37
ECP125-800NC	38 028 44
ECP125-900NC	38 028 51
ECP125-1000NC	38 028 68
ECP125-1050NC	38 028 75
ECP125-1200NC	38 028 82
ECP125-1500NC	38 028 99
ECP125-NC 3 Meter*	38 029 05
ECP125-NC 30 Meter*	38 029 12

Packing Unit content:
10 Connecting Pins.
* One coil



Description	Order No.
-------------	-----------

Connecting Pin ECP187NC
Nylon Covered Steel Cable, Outside Diameter 5.1 mm

ECP187-100NC	38 029 50
ECP187-300NC	38 029 67
ECP187-400NC	38 029 74
ECP187-450NC	38 029 81
ECP187-500NC	38 029 98
ECP187-600NC	38 030 01
ECP187-750NC	38 030 18
ECP187-800NC	38 030 25
ECP187-900NC	38 030 32
ECP187-1000NC	38 030 49
ECP187-1050NC	38 030 56
ECP187-1200NC	38 030 63
ECP187-1500NC	38 030 70
ECP187-NC 3 Meter*	38 030 87
ECP187-NC 30 Meter*	38 030 94

Packing Unit content:
10 Connecting Pins.
* One coil



Connecting Pin ECP62NCS
Nylon Covered Steel Cable, Outside Diameter, \varnothing 2.0 mm

ECP62-300NCS	38 031 00
ECP62-400NCS	38 031 17
ECP62-450NCS	38 031 24
ECP62-500NCS	38 031 31
ECP62-600NCS	38 031 48
ECP62-750NCS	38 031 55
ECP62-800NCS	38 031 62
ECP62-900NCS	38 031 79
ECP62-1000NCS	38 031 86
ECP62-1050NCS	38 031 93
ECP62-1200NCS	38 032 09
ECP62-1500NCS	38 032 16
ECP62-NCS 3 Meter*	38 032 23
ECP62-NCS 30 Meter*	38 032 30

Packing Unit content:
10 Connecting Pins.
* One coil



Description **Order No.**

Connecting Pin ECP125NCS
Nylon Covered Stainless Steel Cable, Outside Diameter 3.6 mm

ECP125-100NCS	38 032 54
ECP125-250NCS	38 032 61
ECP125-300NCS	38 032 78
ECP125-350NCS	38 032 85
ECP125-400NCS	38 032 92
ECP125-450NCS	38 033 08
ECP125-500NCS	38 033 15
ECP125-600NCS	38 033 22
ECP125-750NCS	38 033 39
ECP125-800NCS	38 033 46
ECP125-900NCS	38 033 53
ECP125-1000NCS	38 033 60
ECP125-1050NCS	38 033 77
ECP125-1200NCS	38 033 84
ECP125-1500NCS	38 033 91
ECP125-NCS 3 Meter*	38 034 07
ECP125-NCS 30 Meter*	38 034 14

Packing Unit content:
10 Connecting Pins.
* One coil



Connecting Pin ECP187NCS
Nylon Covered Stainless Steel Cable, Outside Diameter 5.1 mm

ECP187-250NCS	38 034 52
ECP187-350NCS	38 034 69
ECP187-400NCS	38 034 76
ECP187-450NCS	38 034 83
ECP187-500NCS	38 034 90
ECP187-600NCS	38 035 06
ECP187-750NCS	38 035 13
ECP187-800NCS	38 035 20
ECP187-900NCS	38 035 37
ECP187-1000NCS	38 035 44
ECP187-1050NCS	38 035 51
ECP187-1200NCS	38 035 68
ECP187-1500NCS	38 035 75
ECP187-NCS 3 Meter*	38 035 82
ECP187-NCS 30 Meter*	38 035 99

Packing Unit content:
10 Connecting Pins.
* One coil



Description	Order No.
-------------	-----------

Connecting Pin ECP62SP
Steel Spring Wire, Outside Diameter 2.0 mm

ECP62-300SP	38 036 05
ECP62-400SP	38 036 12
ECP62-450SP	38 036 29
ECP62-500SP	38 036 36
ECP62-600SP	38 036 43
ECP62-750SP	38 036 50
ECP62-800SP	38 036 67
ECP62-900SP	38 036 74
ECP62-1000SP	38 036 81
ECP62-1050SP	38 036 98
ECP62-1200SP	38 037 04
ECP62-1350SP	38 037 42
ECP62-1500SP	38 037 11
ECP62-1800SP	38 037 28

Packing Unit content:
10 Connecting Pins.



Connecting Pin ECP125SP
Steel Spring Wire, Outside Diameter 3.5 mm

ECP125-100SP	38 037 59
ECP125-250SP	38 037 66
ECP125-300SP	38 037 73
ECP125-350SP	38 037 80
ECP125-400SP	38 037 97
ECP125-450SP	38 038 03
ECP125-500SP	38 038 10
ECP125-600SP	38 038 27
ECP125-750SP	38 038 34
ECP125-800SP	38 038 41
ECP125-900SP	38 038 58
ECP125-1000SP	38 038 65
ECP125-1050SP	38 038 72
ECP125-1200SP	38 038 89
ECP125-1500SP	38 038 96
ECP125-1800SP	38 039 02

Packing Unit content:
10 Connecting Pins.



Connecting Pin ECP187SP
Steel Spring Wire, Outside Diameter 4.5 mm

ECP187-100SP	38 039 57
ECP187-300SP	38 039 64
ECP187-400SP	38 039 71
ECP187-450SP	38 039 88
ECP187-500SP	38 039 95

Packing Unit content:
10 Connecting Pins.



Description	Order No.
-------------	-----------

Connecting Pin ECP187SP
Steel Spring Wire, Outside Diameter 4.5 mm

ECP187-600SP	38 040 08
ECP187-750SP	38 040 15
ECP187-800SP	38 040 22
ECP187-900SP	38 040 39
ECP187-1000SP	38 040 46
ECP187-1050SP	38 040 53
ECP187-1200SP	38 040 60
ECP187-1500SP	38 040 77
ECP187-1800SP	38 040 84

Packing Unit content:
10 Connecting Pins.



Connecting Pin ECP62SS
Stainless Steel Spring Wire, Outside Diameter 2.0 mm

ECP62-300SS	38 041 07
ECP62-400SS	38 041 14
ECP62-450SS	38 041 21
ECP62-500SS	38 041 38
ECP62-600SS	38 041 45
ECP62-750SS	38 041 52
ECP62-800SS	38 041 69
ECP62-900SS	38 041 76
ECP62-1000SS	38 041 83
ECP62-1050SS	38 041 90
ECP62-1200SS	38 042 06
ECP62-1350SS	38 042 44
ECP62-1500SS	38 042 13
ECP62-1800SS	38 042 20

Packing Unit content:
10 Connecting Pins.



Connecting Pin ECP125SS
Stainless Steel Spring Wire, Outside Diameter 3.5 mm

ECP125-100SS	38 042 51
ECP125-250SS	38 042 68
ECP125-300SS	38 042 75
ECP125-350SS	38 042 82
ECP125-400SS	38 042 99
ECP125-450SS	38 043 05
ECP125-500SS	38 043 12
ECP125-600SS	38 043 29
ECP125-750SS	38 043 36
ECP125-800SS	38 043 43
ECP125-900SS	38 043 50

Packing Unit content:
10 Connecting Pins.



Description **Order No.**

Connecting Pin ECP125SS
Stainless Steel Spring Wire, Outside Diameter 3.5 mm

ECP125-1000SS	38 043 67
ECP125-1050SS	38 043 74
ECP125-1200SS	38 043 81
ECP125-1500SS	38 043 98
ECP125-1800SS	38 044 04

Packing Unit content:
10 Connecting Pins.



Connecting Pin ECP187SS
Stainless Steel Spring Wire, Outside Diameter 4.5 mm

ECP187-250SS	38 044 59
ECP187-350SS	38 044 66
ECP187-400SS	38 044 73
ECP187-450SS	38 044 80
ECP187-500SS	38 044 97
ECP187-600SS	38 045 03
ECP187-750SS	38 045 10
ECP187-800SS	38 045 27
ECP187-900SS	38 045 34
ECP187-1000SS	38 045 41
ECP187-1050SS	38 045 58
ECP187-1200SS	38 045 65
ECP187-1500SS	38 045 72
ECP187-1800SS	38 045 89

Packing Unit content:
10 Connecting Pins.



Splicing Kit EFEK-G
Galvanized Steel fasteners, NC Pin

EasyFix Eco Kit EFEK62-G Belt Thickness 1.5-3.2 mm	38 048 00
EasyFix Eco Kit EFEK125-G Belt Thickness 3.2-4.8 mm	38 048 17
EasyFix Eco Kit EFEK187-G Belt Thickness 4.8-6.4 mm	38 048 24

Packing Unit content:
1 Set of Lacing (4 Strips of 300mm)
1 Connecting Pin / Retaining Washers
Installation Tool



Installation Film

Splicing Kit EFEK-SS
Stainless Steel fasteners, NCS Pins

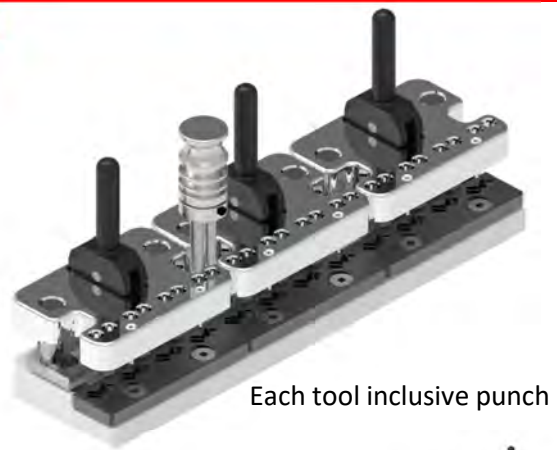
EasyFix Eco Kit EFEK62-SS Belt Thickness 1.5-3.2 mm	38 048 31
EasyFix Eco Kit EFEK125-SS Belt Thickness 3.2-4.8 mm	38 048 48
EasyFix Eco Kit EFEK187-SS Belt Thickness 4.8-6.4 mm	38 048 55

The Splicing Kit is ideal as a mobile and quick repair solution for your conveyor belt, the Kit includes one complete splice for a belt width up to 600mm also a small installation tool.

Description **Order No.**

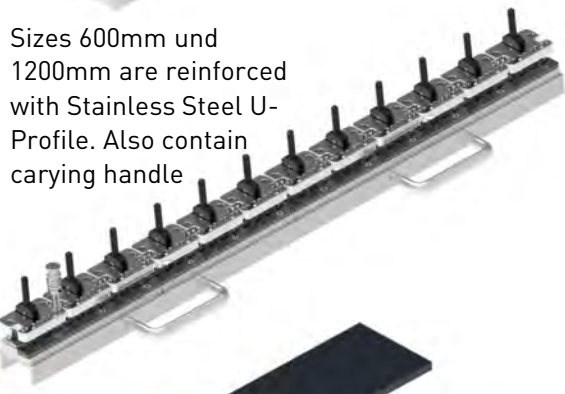
Installation Tool EasyFix EFT

EasyFix Tool EFT-100/4"	38 050 05
EasyFix Tool EFT-300/12"	38 050 29
EasyFix Tool EFT-600/24"	38 050 36
EasyFix Tool EFT-1200/48"	38 050 50



Each tool inclusive punch

Spare Punch for EFT	38 051 42
---------------------	-----------



Sizes 600mm und 1200mm are reinforced with Stainless Steel U-Profile. Also contain carrying handle

Accessories

EC-Setting Plate	3805135
------------------	---------



Belt Grinder	38 051 11
--------------	-----------



ECP-Cutter	38 051 04
------------	-----------



ECP-Bender	38 051 28
------------	-----------



Retaining Washers ECP62 (50)	380 46 40
Retaining Washers ECP125 (50)	380 46 57
Retaining Washers ECP187 (50)	380 46 64

PU = 5x10 piece
PU = 5x10 piece
PU = 5x10 piece



Supergrip-Skiver	380 50 98
------------------	-----------



Strip Length	Belt Thickness	Pitch	Order No.	kg
--------------	----------------	-------	-----------	----

Belt Fastener D71-C		Connecting Pin Dia. 1.4 mm		
Special Steel		Minimum Pulley Diameter 25 mm		

300 mm	1.5 - 2.0 mm	4 mm	42 101 71 30	0.2
600 mm	1.5 - 2.0 mm	4 mm	42 101 71 60	0.5
1200 mm	1.5 - 2.0 mm	4 mm	42 101 71 12	1.0

Belt Fastener D72-C		Connecting Pin Dia. 1.4 mm		
Special Steel		Minimum Pulley Diameter 35 mm		

300 mm	2.0 - 2.5 mm	4 mm	42 101 72 30	0.3
600 mm	2.0 - 2.5 mm	4 mm	42 101 72 60	0.5
1200 mm	2.0 - 2.5 mm	4 mm	42 101 72 12	1.1

Belt Fastener D73-C		Connecting Pin Dia. 1.4 mm		
Special Steel		Minimum Pulley Diameter 50 mm		

300 mm	2.5 - 3.5 mm	4 mm	42 101 73 30	0.3
600 mm	2.5 - 3.5 mm	4 mm	42 101 73 60	0.6
1200 mm	2.5 - 3.5 mm	4 mm	42 101 73 12	1.2



Material : Special Steel

Box content:
4 Complete Sets
(8 Fastener Strips + 4 Connecting Pins)

Note:
Fasteners D71, D72, D73 can be spliced with the Lacing Tool MATOROLL, Vice Lacer MATOVICE or hydraulic installation machine.

Splicing with or without Lacing Tool

Belt Fastener D71-SS		Connecting Pin Dia. 1.4 mm		
Stainless Steel 1.4404		Minimum Pulley Diameter 25 mm		

300 mm	1.5 - 2.0 mm	4 mm	42 104 71 30	0.2
600 mm	1.5 - 2.0 mm	4 mm	42 104 71 60	0.5
1200 mm	1.5 - 2.0 mm	4 mm	42 104 71 12	1.0

Belt Fastener D72-SS		Connecting Pin Dia. 1.4 mm		
Stainless Steel 1.4404		Minimum Pulley Diameter 35 mm		

300 mm	2.0 - 2.5 mm	4 mm	42 104 72 30	0.3
600 mm	2.0 - 2.5 mm	4 mm	42 104 72 60	0.5
1200 mm	2.0 - 2.5 mm	4 mm	42 104 72 12	1.1

Belt Fastener D73-SS		Connecting Pin Dia. 1.4 mm		
Stainless Steel 1.4404		Minimum Pulley Diameter 50 mm		

300 mm	2.5 - 3.5 mm	4 mm	42 104 73 30	0.3
600 mm	2.5 - 3.5 mm	4 mm	42 104 73 60	0.6
1200 mm	2.5 - 3.5 mm	4 mm	42 104 73 12	1.2



Material : Stainless Steel

Box content:
4 Complete Sets
(8 Fastener Strips + 4 Connecting Pins)

Note:
Fasteners D71, D72, D73 can be spliced with the Lacing Tool MATOROLL, Vice Lacer MATOVICE or hydraulic installation machine.

Strip Length	Belt Thickness	Pitch	Order No.	kg
Belt Fastener D82-C				
Special Steel		Connecting Pin Dia. 1.4 mm Minimum Pulley Diameter 60 mm		
300 mm	3.0 - 4.0 mm	6 mm	42 101 82 30	0.4
Belt Fastener D83-C				
Special Steel		Connecting Pin Dia. 2.1 mm Minimum Pulley Diameter 75 mm		
300 mm	4.0 - 5.0 mm	8 mm	42 101 83 30	0.5
Belt Fastener D84-C				
Special Steel		Connecting Pin Dia. 2.1 mm Minimum Pulley Diameter 100 mm		
300 mm	5.0 - 6.5 mm	8 mm	42 101 84 30	0.6
Belt Fastener D85-C				
Special Steel		Connecting Pin Dia. 2.1 mm Minimum Pulley Diameter 125 mm		
300 mm	6.5 - 7.5 mm	8 mm	42 101 85 30	0.7
Belt Fastener D86-C				
Special Steel		Connecting Pin Dia. 3.0 mm Minimum Pulley Diameter 175 mm		
300 mm	7.5 - 8.5 mm	10 mm	42 101 86 30	1.0
Belt Fastener D87-C				
Special Steel		Connecting Pin Dia. 3.0 mm Minimum Pulley Diameter 225 mm		
300 mm	8.5 - 9.5 mm	12 mm	42 101 87 30	1.2
Belt Fastener D88-C				
Special Steel		Connecting Pin Dia. 3.5 mm Minimum Pulley Diameter 300 mm		
300 mm	9.5 - 11 mm	16 mm	42 101 88 30	1.8
Belt Fastener D89-C				
Special Steel		Connecting Pin Dia. 3.5 mm Minimum Pulley Diameter 350 mm		
300 mm	11 - 12.5 mm	16 mm	42 101 89 30	2.1

Splicing without Lacing Tool

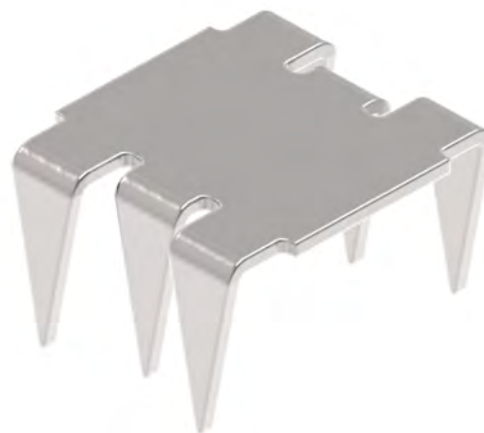


Material : Special Steel

Box content:
4 Complete Sets
(8 Fastener Strips + 4 Connecting Pins)

Description	Belt Thickness	Order No.	kg
Belt Fastener S82 Leg Length 8 mm, Width 12 mm			
S82 (200)	up to 4 mm	42 701 20 00	0.2
Belt Fastener S83 Leg Length 10 mm, Width 14 mm			
S83 (201)	up to 6 mm	42 701 20 10	0.3
Belt Fastener S84 Leg Length 12 mm, Width 17 mm			
S84 (202)	up to 8 mm	42 701 20 20	0.5
Belt Fastener S85 Leg Length 16 mm, Width 23 mm			
S85 (203)	up to 10 mm	42 701 20 30	1.0
Belt Fastener S86 Leg Length 20 mm, Width 25 mm			
S86 (204)	up to 13 mm	42 701 20 40	1.5
Belt Fastener S87 Leg Length 23 mm, Width 30 mm			
S87 (205)	up to 15 mm	42 701 20 50	2.4
Belt Fastener S88 Leg Length 29 mm, Width 35 mm			
S88 (206)	up to 18 mm	42 701 20 60	4.1
Belt Fastener S89 Leg Length 38 mm, Width 43 mm			
S89 (207)	up to 21 mm	42 701 20 70	6.7

Installation without Lacing Tool



Material : Special Steel

Packing Units:
100 Fasteners

mato



The MATO **Spiral Fastener Series Y** has been developed for special applications in the food industry requiring non metallic splices. These Fasteners are FDA approved and suitable for very small pulley diameters (from 10 mm) as well as for higher temperatures (up to 240°C).

The Fastener's texture is glued to the conveyor belt, vulcanised or sewn (typically between top and bottom layers of the belt).

Using Double Web Fasteners, the belt can be placed between both fastener textures and than glued, vulcanised or sewn.

Length	Spiral height. PET-Ø	Belt- thickness	Order No.	kg
--------	-------------------------	--------------------	-----------	----

Belt Fastener Y50PWS		Connecting Pin Dia. 0.8 mm		
Spiral Lace, white, full width 100 mm		Min. Pulley Ø 10 mm web thickness 0,5 mm		

3 Meter	2,2/0,5mm	1,6-3,2mm	42 605 52 11	0.1
10 Meter	2,2/0,5mm	1,6-3,2mm	42 605 52 12	0.4
30 Meter	2,2/0,5mm	1,6-3,2mm	42 605 52 13	1.3

Belt Fastener Y65PWS		Connecting Pin Dia. 1.0 mm		
Spiral Lace, white, full width 136 mm		Min. Pulley Ø 30 mm web thickness 0,7 mm		

3 Meter	3,0/0,7mm	2,4-3,6mm	42 606 52 11	0.2
10 Meter	3,0/0,7mm	2,4-3,6mm	42 606 52 12	0.8
30 Meter	3,0/0,7mm	2,4-3,6mm	42 606 52 13	2.3

Belt Fastener Y90PWS		Connecting Pin Dia. 1.2 mm		
Spiral Lace, white, full width 134 mm		Min. Pulley Ø 50 mm web thickness 0,7 mm		

3 Meter	3,6/0,9mm	3,2-4,6mm	42 608 52 11	0.3
10 Meter	3,6/0,9mm	3,2-4,6mm	42 608 52 12	2.6
30 Meter	3,6/0,9mm	3,2-4,6mm	42 608 52 13	2.6

Belt Fastener Y160PWS		Connecting Pin Dia. 1.0 mm		
Spiral Lace, white, full width 210 mm		Min. Pulley Ø 30 mm web thickness 0,7 mm		

3 Meter	3,0/0,7mm	2,4-3,6mm	42 609 52 11	0.3
10 Meter	3,0/0,7mm	2,4-3,6mm	42 609 52 12	1.0
30 Meter	3,0/0,7mm	2,4-3,6mm	42 609 52 13	2.9

Belt Fastener Y190PWS		Connecting Pin Dia. 1.2 mm		
Spiral Lace, white, full width 210 mm		Min. Pulley Ø 50 mm web thickness 0,7 mm		

3 Meter	3,6/0,9mm	3,2-4,6mm	42 600 52 11	0.4
10 Meter	3,6/0,9mm	3,2-4,6mm	42 600 52 12	1.3
30 Meter	3,6/0,9mm	3,2-4,6mm	42 600 52 13	3.9

Belt Fastener Y65PBS		Connecting Pin Dia. 1.0 mm		
Spiral Lace, black, full width 136 mm		Min. Pulley Ø 30 mm web thickness 0,7 mm		

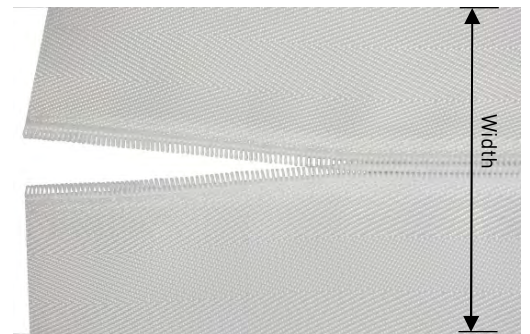
3 Meter	3,0/0,7mm	2,4-3,6mm	42 606 54 11	0.2
10 Meter	3,0/0,7mm	2,4-3,6mm	42 606 54 12	0.8
30 Meter	3,0/0,7mm	2,4-3,6mm	42 606 54 13	2.3

Belt Fastener Y90PBS		Connecting Pin Dia. 1.2 mm		
Spiral Lace, black, full width 134 mm		Min. Pulley Ø 50 mm web thickness 0,7 mm		

3 Meter	3,6/0,9mm	3,2-4,6mm	42 608 54 11	0.3
10 Meter	3,6/0,9mm	3,2-4,6mm	42 608 54 12	0.9
30 Meter	3,6/0,9mm	3,2-4,6mm	42 608 54 13	2.6

Single Web - White

Material : Polyester (PET)
Temperature resistant up to 160°C



Single Web - Black

Material : Polyester (PET)
Temperature resistant up to 160°C



Please ask for further Fastener Sizes and Material Compositions.

Length	Spiral height. PET-Ø	Belt- thickness	Order No.	kg
--------	-------------------------	--------------------	-----------	----

Belt Fastener Y65PWD			Connecting Pin Dia. 1.0 mm	
Spiral Lace, white, width 108 mm			Min. Pulley Ø 30 mm, web thickness 2x0,5mm	

3 Meter	3,0/0,7mm	2,4-3,6mm	42 606 52 21	0.2
10 Meter	3,0/0,7mm	2,4-3,6mm	42 606 52 22	0.8
30 Meter	3,0/0,7mm	2,4-3,6mm	42 606 52 23	2.3

Belt Fastener Y90PWD			Connecting Pin Dia. 1.2 mm	
Spiral Lace, white, width 107 mm			Min. Pulley Ø 50 mm, web thickness 2x0,5mm	

3 Meter	3,6/0,9mm	3,2-4,6mm	42 608 52 21	0.3
10 Meter	3,6/0,9mm	3,2-4,6mm	42 608 52 22	0.9
30 Meter	3,6/0,9mm	3,2-4,6mm	42 608 52 23	2.6

Belt Fastener Y90PBD			Connecting Pin Dia. 1.2 mm	
Spiral Lace, black, width 107 mm			Min. Pulley Ø 50 mm, web thickness 2x0,5mm	

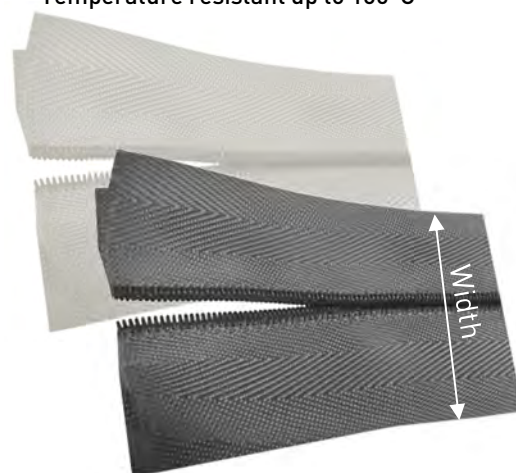
3 Meter	3,6/0,9mm	3,2-4,6mm	42 608 54 21	0.3
10 Meter	3,6/0,9mm	3,2-4,6mm	42 608 54 22	1.1
30 Meter	3,6/0,9mm	3,2-4,6mm	42 608 54 23	3.2

Belt Fastener Y80EAD			Connecting Pin Dia. 1.2 mm	
Spiral Lace, brown, width 83 mm			Min. Pulley Ø 50 mm, web thickness 2x0,65mm	

3 Meter	3,6/0,9mm	2,4-3,6mm	42 607 41 21	0.2
10 Meter	3,6/0,9mm	2,4-3,6mm	42 607 41 22	0.8
30 Meter	3,6/0,9mm	2,4-3,6mm	42 607 41 23	2.5

Double Web - White / Black

Material: Polyester (PET)
Temperature resistant up to 160°C



Double Web - Brown

Material: Polyetheretherketone (PEEK)
Temperature resistant up to 240°C
hydrolysis resistant



Please ask for further Fastener Sizes and Material Compositions.

Connecting Pins for Spiral Fastener Y

Description	Pin Dia.	Maximum Temp.	Order No.	kg
-------------	----------	------------------	-----------	----

Connecting Pin YK whites 100 Meter Coil				
--	--	--	--	--

YK08-MW	0.8 mm	160°C	42 509 31 81	0.1
YK10-MW	1.0 mm	160°C	42 509 31 01	0.1
YK12-MW	1.2 mm	160°C	42 509 31 21	0.1

Connecting Pin YK black 100 Meter Coil				
---	--	--	--	--

YK10-MB	1.0 mm	160°C	42 509 11 01	0.1
YK12-MB	1.2 mm	160°C	42 509 11 21	0.1

Connecting Pin YK brown 100 Meter Coil				
---	--	--	--	--

YK12-EA	1.2 mm	240°C	42 509 21 21	0.1
YK15-EA	1.5 mm	240°C	42 509 21 51	0.2



Order No.	P.	Order No.	P.	Order No.	P.	Order No.	P.	Order No.	P.	Order No.	P.
42 104 13 62	39	42 480 41 80	42	42 607 41 21	66	42 707 58 22	37				
42 104 22 21	38	42 480 51 60	42	42 607 41 22	66	42 707 58 32	37				
42 104 22 22	38	42 480 51 70	42	42 607 41 23	66	42 707 58 42	37				
42 104 22 31	38	42 480 60 60	42	42 608 52 11	65	42 707 58 52	37				
42 104 22 32	38	42 480 60 70	42	42 608 52 12	65	42 707 58 62	37				
42 104 71 12	61	42 480 61 10	42	42 608 52 13	65	42 714 07 34	36				
42 104 71 30	61	42 480 61 20	42	42 608 52 21	66	42 714 26 14	35				
42 104 71 60	61	42 480 61 30	42	42 608 52 22	66	42 714 26 17	35				
42 104 72 12	61	42 480 61 50	42	42 608 52 23	66	42 714 26 24	35				
42 104 72 30	61	42 480 61 80	42	42 608 54 11	65	42 714 26 25	35				
42 104 72 60	61	42 480 86 50	40	42 608 54 12	65	42 714 26 27	35				
42 104 73 12	61	42 480 86 60	40	42 608 54 13	65	42 714 26 51	35				
42 104 73 30	61	42 480 90 00	25	42 608 54 21	66	42 714 26 52	35				
42 104 73 60	61	42 480 96 50	22	42 608 54 22	66	42 714 26 72	35				
42 120 00 00	41	42 480 96 60	22	42 608 54 23	66	42 714 36 51	35				
42 150 20 70	41	42 481 15 15	42	42 609 52 11	65	42 714 36 52	35				
42 150 30 80	41	42 481 17 15	42	42 609 52 12	65	42 714 36 72	35				
42 150 50 51	41	42 481 18 15	42	42 609 52 13	65	42 714 56 14	35				
42 150 61 63	41	42 481 20 15	42	42 640 00 00	24	42 714 56 17	35				
42 200 00 06	23	42 501 01 50	46	42 654 03 50	20	42 714 56 24	35				
42 200 00 23	23	42 501 01 80	46	42 654 03 80	20	42 714 56 25	35				
42 200 00 24	43	42 501 02 00	46	42 654 04 00	20	42 714 56 27	35				
42 200 00 25	43	42 501 02 50	46	42 654 04 80	20	42 714 56 51	35				
42 200 00 26	43	42 501 03 00	46	42 654 05 00	20	42 714 56 52	35				
42 200 00 27	43	42 501 03 50	46	42 654 05 70	20	42 714 56 72	35				
42 200 02 02	22	42 501 04 00	46	42 654 06 00	20	42 714 86 51	35				
42 200 02 04	22	42 502 01 50	46	42 654 07 50	20	42 714 86 52	35				
42 200 20 70	41	42 502 01 80	46	42 654 08 80	20	42 714 86 72	35				
42 200 20 90	25	42 502 02 00	46	42 654 11 30	20	42 723 04 00	21				
42 200 20 91	25	42 502 02 50	46	42 654 11 80	20	42 723 04 80	21				
42 200 20 92	25	42 502 03 00	46	42 690 04 00	21	42 723 05 00	21				
42 200 30 80	41	42 502 03 50	46	42 690 04 80	21	42 723 05 70	21				
42 200 45 10	44	42 502 04 00	46	42 690 05 00	21	42 723 06 00	21				
42 200 61 63	41	42 503 01 50	46	42 690 05 70	21	42 723 08 80	21				
42 208 03 50	27	42 503 01 80	46	42 690 06 00	21	42 723 11 30	21				
42 208 03 80	27	42 503 02 00	46	42 690 07 50	21	42 723 12 00	21				
42 208 04 00	27	42 503 02 50	46	42 690 08 80	21	42 754 27 90	35				
42 208 04 80	27	42 503 03 00	46	42 690 11 30	21	42 754 27 91	35				
42 208 05 00	27	42 503 03 50	46	42 690 12 00	21	42 754 27 92	35				
42 208 05 70	27	42 503 04 00	46	42 699 04 00	21	42 754 27 93	35				
42 208 06 00	27	42 504 01 50	46	42 699 04 80	21	42 754 37 90	36				
42 208 06 30	27	42 504 01 80	46	42 699 05 00	21	42 754 37 91	36				
42 208 07 50	27	42 504 02 00	46	42 699 30 00	21	42 754 37 92	36				
42 208 08 30	27	42 504 02 50	46	42 701 20 00	63	42 754 57 90	35				
42 208 08 80	27	42 504 03 00	46	42 701 20 10	63	42 754 57 91	35				
42 208 11 30	27	42 505 01 50	46	42 701 20 20	63	42 754 57 92	35				
42 208 12 00	27	42 505 02 00	46	42 701 20 30	63	42 754 57 93	35				
42 208 12 70	27	42 505 02 50	46	42 701 20 40	63	42 754 87 90	36				
42 208 14 00	27	42 505 03 00	46	42 701 20 50	63	42 754 87 91	36				
42 208 15 00	27	42 505 03 50	46	42 701 20 60	63	42 754 87 92	36				
42 208 30 00	27	42 505 04 00	46	42 701 20 70	63	42 774 07 32	36				
42 268 03 80	20	42 507 01 20	46	42 704 18 22	37	42 774 07 33	36				
42 268 04 00	20	42 507 01 50	46	42 704 18 32	37	42 774 17 21	36				
42 268 04 80	20	42 507 01 80	46	42 704 18 42	37	42 774 17 22	36				
42 268 05 00	20	42 507 02 00	46	42 704 18 52	37	42 774 27 31	36				
42 268 05 70	20	42 507 02 50	46	42 704 18 62	37	42 774 27 32	36				
42 268 08 80	20	42 508 01 20	46	42 704 25 51	34	42 774 27 33	36				
42 268 11 30	20	42 508 01 50	27/46	42 704 25 52	34	42 774 37 21	36				
42 269 03 80	20	42 508 01 80	46	42 704 26 14	34	42 774 37 22	36				
42 269 04 00	20	42 509 11 01	66	42 704 26 17	34	42 774 37 32	36				
42 269 05 00	20	42 509 11 21	66	42 704 26 24	34	42 774 37 33	36				
42 269 12 70	20	42 509 21 21	66	42 704 26 25	34	42 774 37 34	36				
42 269 15 00	20	42 509 21 51	66	42 704 26 26	34/35	42 774 57 21	36				
42 280 00 00	42	42 509 31 01	66	42 704 26 27	34	42 774 57 22	36				
42 280 20 00	42	42 509 31 21	66	42 704 26 34	34	42 774 57 31	36				
42 280 50 00	42	42 509 31 81	66	42 704 26 35	34	42 774 57 32	36				
42 480 10 60	41	42 510 01 50	24	42 704 26 36	34/35	42 774 57 33	36				
42 480 10 70	41	42 510 11 50	24	42 704 56 14	34	42 774 87 21	36				
42 480 11 10	41	42 511 06 00	11	42 704 56 17	34	42 774 87 22	36				
42 480 11 20	41	42 513 01 50	27	42 704 56 24	34	44 121 02 02	10				
42 480 11 30	41	42 516 01 50	27	42 704 56 25	34	44 121 02 03	5				
42 480 11 50	41	42 600 52 11	65	42 704 56 26	34/35	46 000 07 60	12				
42 480 11 51	22	42 600 52 12	65	42 704 56 27	34	46 400 10 26	11				
42 480 11 80	41	42 600 52 13	65	42 704 56 34	34	46 430 00 12	11				
42 480 21 10	42	42 605 52 11	65	42 704 56 35	34						
42 480 21 20	42	42 605 52 12	65	42 704 56 36	34/35						
42 480 21 30	42	42 605 52 13	65	42 704 58 29	37						
42 480 21 50	42	42 606 52 11	65	42 704 58 32	37						
42 480 21 51	22	42 606 52 12	65	42 704 58 42	37						
42 480 21 80	42	42 606 52 13	65	42 704 58 52	37						
42 480 30 60	42	42 606 52 21	66	42 704 58 62	37						
42 480 30 70	42	42 606 52 22	66	42 707 18 22	37						
42 480 41 10	42	42 606 52 23	66	42 707 18 32	37						
42 480 41 20	42	42 606 54 11	65	42 707 18 42	37						
42 480 41 30	42	42 606 54 12	65	42 707 18 52	37						
42 480 41 50	42	42 606 54 13	65	42 707 18 62	37						

I. Quotation

The documentation pertaining to the quotation such as illustrations, drawings, details of weights and dimensions are only approximately authoritative where they are not expressly designated as binding. The supplier retains the right to ownership and Copyright of all cost estimates, drawings and other papers. These must not be made accessible to third parties. The supplier has an obligation not to make accessible to third parties any plans designated as confidential by the purchaser, without the latter's approval.

II. Scope of the delivery

The written order confirmation from the supplier is definitive for the scope of the delivery. In the case of a quotation from the supplier with a time commitment and timely acceptance, the quotation is definitive, where there is no confirmation of the Order in good time. Supplementary agreements and changes require the written confirmation of the supplier.

III. Price and payment

1. In the absence of any special agreements the prices are ex works, including loading at the factory, but excluding packing. VAT at the applicable statutory rate must be added to the prices.

2. In the absence of any special agreement payment is to be made in cash with no deductions and free of charge at the supplier's point of payment within 30 days after dispatch.

We grant a discount of 2% if the payment is carried out within 14 days after dispatch.

3. The withholding of payments or the offsetting of any counter claims by the purchaser which are disputed by supplier are not permitted.

4. For orders of less than EUR 50,- nett invoice value we charge a handling charge of additional EUR 15,- for each order.

5. In case of disproportional increases of costs such as labour or material costs we preserve the right for price adaptations even within the period of validity of this price list.

IV. Delivery time

1. The delivery time begins with the sending of the order confirmation but not before the purchaser furnishes the documents, approvals, clearances to be provided and also the arrival of the agreed down payment.

2. The delivery times will be extended commensurately in the event of actions which form part of labour disputes, especially strikes and lockouts and also in the event of any unforeseen impediments which are outside the control of the supplier where such impediments can be shown to have a considerable influence of the manufacture or shipment of the object being supplied. This also applies when these circumstances occur at sub-suppliers. The circumstances described are also not to be blamed by the supplier when they arise during an already existing delay. In important cases the supplier will notify the purchaser of the beginning and end of such impediments as soon as possible.

3. The delivery times has been adhered to if by the time it expires the object being supplied has left the factory or its readiness for despatch has been notified.

4. When damage is suffered by the purchaser as a result of delay which has occurred due to the supplier, the purchaser is entitled to request compensation for the delay, to the exclusion of further claims. For each full week of lateness this will amount to 1/2 of 1%, but at the most 5% of the value of that part of the total delivery which as a result of the delay cannot be utilised in good time or in accordance with the contract.

5. If despatch is delayed at the wish of the purchaser he will be charged for the cost of storage beginning one month after indication of readiness for despatch, for storage at the supplier's factory however at least 1/2 of 1% of the invoiced amount for each month. The supplier however is entitled after setting a suitable period and its fruitless expiry to make other use of the object being supplied and to supply the purchaser over a suitable extended period.

6. Adherence to the delivery period assumes the purchaser meets his contractual obligations.

V. Transfer of risk and acceptance

1. The risk is transferred to the purchaser at the latest upon despatch of the supplied parts, i.e. even if partial deliveries are made or the supplier has taken on further services such as the costs

of despatch or transport and setting up. At the request of the purchaser, and at his expense, the shipment can be insured against theft, breakage, transport, fire and water damage and other insurable risks.

2. If the despatch is delayed as a result of circumstances which are the fault of the purchaser, then the risk is transferred to the purchaser from the day of readiness for despatch; the supplier is however under an obligation, at the wish and expense of the purchaser, to effect insurance which the latter request.

3. Objects supplied, even if they exhibit insignificant defects, are to be accepted by the purchaser regardless of the rights under section VII.

4. Partial deliveries are permissible.

VI. Right of ownership

1. The supplier retains the right of ownership to objects supplied until the arrival of all payments under the contract to supply.

2. The supplier is entitled to insure the object supplied against theft, breakage, transport, fire and water damage and other damage at the purchaser's expense when the purchaser has not shown that he has taken out that insurance himself.

For defects in the delivery, which includes the absence of the properties explicitly promised, the supplier has the following obligations, to the exclusion of further claims regardless of section IX, 4.

VII. Liability for defects in the delivery

1. All parts which within six month of commissioning prove to be unusable or whose usability is significantly impaired as a result of a state of affairs which was present before the transfer of risk, particularly due to faulty construction, poor material or bad workmanship will be repaired or supplied new at the choice of the supplier, as he judges best.

The discovery of such defects is to be reported to the supplier in writing without delay. Replaced parts become the property of the supplier. If despatch, set up or commissioning is delayed, without blame being attached to the supplier then this liability expires at the latest 12 month after the transfer of risk. For essential third party products the supplier's liability is limited to the transfer of the entitlement to liability which exists vis a vis the "sub-supplier" of the third party product.

2. The right of the purchaser to assert claims due to defects expires in all cases in 6 months from the time of the punctually made complaint, or upon the expiry of the warranty period.

3. No warranty is taken on for damage which occurs due to the following reasons; unsuitable or improper use, incorrect fitting or incorrect repair by the purchaser or by a third party, natural wear and tear, incorrect or negligent treatment, unsuitable operating materials, replacement materials defective construction work, unsuitable construction site, chemical, electro-chemical or electrical effects for which the blame cannot be attributed to the supplier.

4. To allow the repairs and the supply of replacements to be carried out, which appear necessary in the best judgment of the supplier the purchaser, after agreement with the supplier, must provide the necessary time and opportunity otherwise the supplier is released from his obligation for the defect. Only in urgent cases where operational safety is a risk or to avoid disproportionately large damage, whereupon the supplier must be made aware immediately, or if the supplier is delayed in eliminating the defect, the purchaser has the right to eliminate the defect himself or have it eliminated by a third party and to demand reimbursement of the necessary costs from the supplier.

5. Of the direct costs incurred by the repairs of the supply of replacements the supplier will - insofar as the complaint is shown to be justified - bear the cost of the replacement items including the despatch, plus the reasonable costs for the removal and fitting and furthermore, where this can be rightly requested depending on the situation of the individual case, any necessary costs for providing his mechanics and assistants. The purchaser generally bears all other cost.

02. November 2020

6. The warranty period on the replacement items and the repair is three months, but this will run until the time of the expiry of the original warranty period for the object supplied. If repairs are necessary the period of liability for the object supplied will be extended by the length of the interruption in operation caused by this.
7. Any modifications or repair work carried out on the part of the purchaser or a third party either inexpertly or without the prior approval of the supplier will cancel the liability for the consequences such actions.
8. Further claims by the purchaser, especially claims for damage which did not occur on the supplied object itself are excluded. The exclusion of liability does not apply if the owner or leading the owner or leading employee, the supplier is only liable for sensibly foreseeable damage typical of the contract. The exclusion of liability also does not apply in cases where in accordance with the product liability law liability is accepted for damage to persons or property on privately used objects, where faults exist on the object supplied. It also does not apply when properties.

VIII. Liability for associated obligation

When, through the fault of the supplier, the object supplied cannot be used by the purchaser in accordance with the contract as a result of omitted or incorrect implementation of suggestions or advice which occurred before or after conclusion of the contract and also other obligations related to the contract, especially instructions for the operation and maintenance of the object supplied then the rulings in Section VII and IX apply appropriately, to the exclusion of further claims by the purchaser.

IX. The rights of the purchaser to withdrawal, variation and other liability of the supplier

1. The purchaser can also withdraw from the contract if the whole provision of supplies and/or services becomes completely impossible for the supplier before the transfer of risk. The same applies in the event of the supplier's inability to deliver. The purchaser can also withdraw from the contract, for an order of objects of the same type, the implementation of a part of the delivery becomes impossible with respect to quantity or he has a justified interest in refusing a partial delivery, if this is not the case the purchaser can reduce the counter payment to suit.
2. If a delivery delay exists as defined under Section IV of the Conditions of Supply and if the purchaser grants the supplier who is in arrears with the delivery a suitable extension period with an explicit declaration that after the expiry of this period he will refuse to accept the goods and/or services, and if this extended deadline is not met, then the purchaser is entitled to withdraw.
3. If the impossibility occurs during the delay in acceptance or due to the fault of the purchaser then the purchaser remains obliged to make the counter payment.
4. The purchaser also has the right to cancellation of the contract if the supplier, through his own fault, allows a suitable extension period granted to him for repairs of the supply of replacements with regard to a defect, as defined in the conditions of supply and attributable to him, to expire fruitlessly. The right of the purchaser to cancellation of the contract also exists in other cases of failure of the supplier to repair or supply a replacement.
5. Further claims by the purchaser are excluded, especially to termination or reduction and also to compensation for damages of any kind i.e. also for any damages which did not occur on the supplied object itself. This exclusion of liability does not apply if the owner or leading employee have acted with intent or gross negligence and also if there has been blameworthy violation of essential obligations under the contract. In the event of blameworthy violations of essential obligations under the contract, except in cases of intent or gross negligence by the owner of leading employee, the supplier is only liable for sensibly foreseeable damage typical of the contract. The exclusion of liability also does not apply in cases where in accordance with the product liability law liability is accepted for damage to persons or property on privately used objects, where faults exist on the object supplied. It also does not apply when properties are absent which were expressly promised when the promise had the intention of covering the purchaser against damage which did not arise on the supplied object itself.

X. Court of jurisdiction

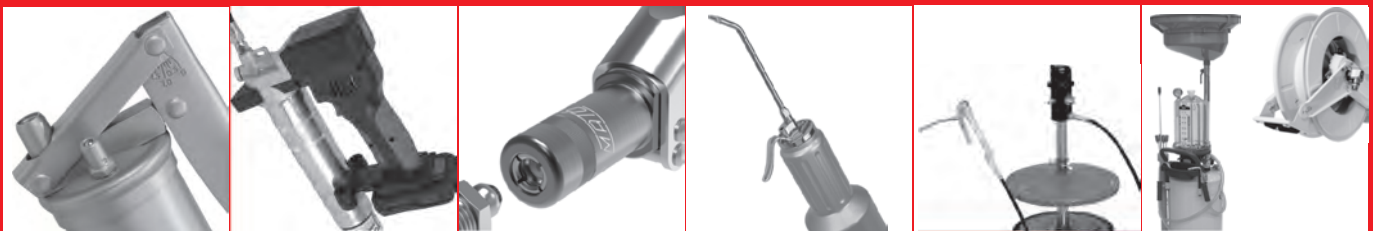
If the purchaser is a fully qualified merchant, a legal personage in public law or a legally separate property proceedings for all disputes arising from a contractual relationship are to be taken at the court with jurisdiction for the supplier's head office or the branch of the supplier which made the delivery. The supplier is also entitled to take proceedings against the buyer at the court of jurisdiction for his head office.

MATO GmbH & Co. KG
63165 Mühlheim
Germany

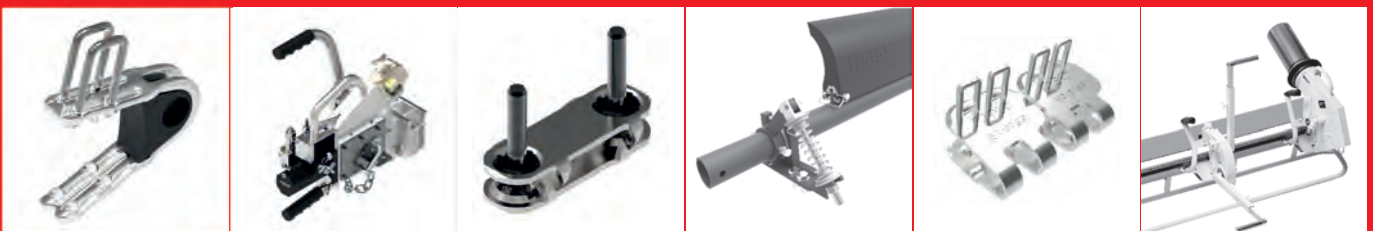
mato

MATO Product Divisions:

Lubrication Equipment - Fluid Handling Products



Belt Maintenance Systems - Products for Conveyor Belts



Global expertise in Belt Maintenance Products

mato

Valid from: 01.01.2021



MATO GmbH & Co KG
Benzstr. 16-24
63165 Mühlheim a.M.
Germany
Tel.: +49 (0) 6108 - 906-0
Fax: +49 (0) 6108 - 906-120
www.mato.de
beltlacing@mato.de



MATO Industries Ltd.
Unit 1 Philips Road
Whitebirk Ind. Estate
Blackburn, Lancashire
Bb1 5PG United Kingdom
Tel.: +44 (0) 1254 - 387638
Fax: +44 (0) 1254 - 238023
info@mato.co.uk



MATO Corporation
201 Resource Drive
Beckley, WV 25801
West Virginia USA
Tel.: +1- 304 - 255 1280
Fax: +1- 304 - 255 2501
info@mato-usa.com



MATO Australia Pty Ltd.
39 Bonville Avenue
Thornton, NSW 2322
Australia
Tel.: +61 1300-850 795
Fax: +61 2 4936-1388
maus@mato.com.au



MATO France S.A.R.L.
Zone Artisanale du Grunhof
2 Rue du Grunhof
57890 Porcellette, France
Tel.: +33 -(0) 3 - 87821215
Fax: +33 - (0) 3 - 87297213
mato.france@mato.de



MATO Iberica, S.L.
Pol. Industrial Mora Garay
Calle Marie Curie, parc. 36/38
E-33211 Gijón, Spain
Tel.: +34 (0) 985 - 328900 / 328211
Fax: +34 (0) 985 - 322647
matoiberica@matoiberica.es



MATO Industrial Technology
(Qufu) Co., Ltd.
West End of Changchun Road,
Development Zone of Qufu City
273100 Qufu City, Shandong
China, PRC
Tel: +86-537-4533799
Fax:+86-537-4533299



MATO Products Pty Ltd.
P.O. Box 224
Kempton Park 1620
28 Forge Road Spartan
South Africa
Tel.: +27 (0) 11-928 4163
Fax: +27 (0) 11-923 6071
matosales@multotec.co.za



MATO Sib
Uliza Telefonnaja 15
Kemerovo
652523 Leninsk-Kusnezkiy
Russian Federation
Tel.: +7 (0) 38456 35166
Fax: +7 (0) 38456 35166
mato-sib@yandex.ru



MATO Sales Rep.Latinoamérica
Cra.41a N°22 Sur 87
Envigado,
Colombia
Tel.: +57 317 3620751
csouto@mato-latam.com



MATO Suisse AG
Industriestrasse 53
CH-6034 Inwil
Switzerland
Tel.: +41 (0) 41 - 4490990
Fax: +41 (0) 41 - 4490992
info@mato.ch www.mato.ch



MATO Uglemechanisatija
Str. Krymskogo 27A
03142 Kiew
Ukraine
Tel.: +38 (0) 504759258
ygm1@mail.ru



MATO Kasachstan
Erzhanov Street 18
100009 Karaganda
Republic Kasachstan
Tel.: +7- (0) 7 212 910 063
Fax: +7- (0) 7 212 910 063
office@mato.kz



ISO 9001

Q
mato