


ISOMETRIC VIEWS

THE INFORMATION CONTAINED WITHIN THIS DOCUMENT(S) IS THE SOLE PROPERTY OF INFINITY BELTING LTD. NO REPRODUCTION IS AUTHORISED WITHOUT WRITTEN PERMISSION FROM INFINITY BELTING LTD.

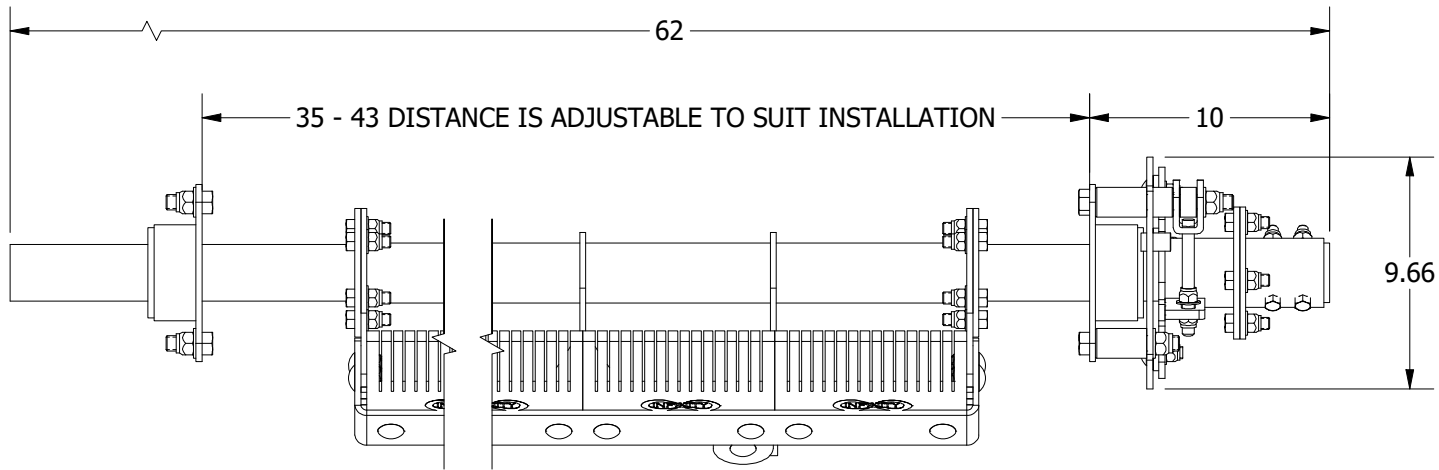
ELECTRONIC FILES TO BE SUPPLIED

Client:	Design by:
Part #:	Drawn by:
P.O.:	DIMS:
	in

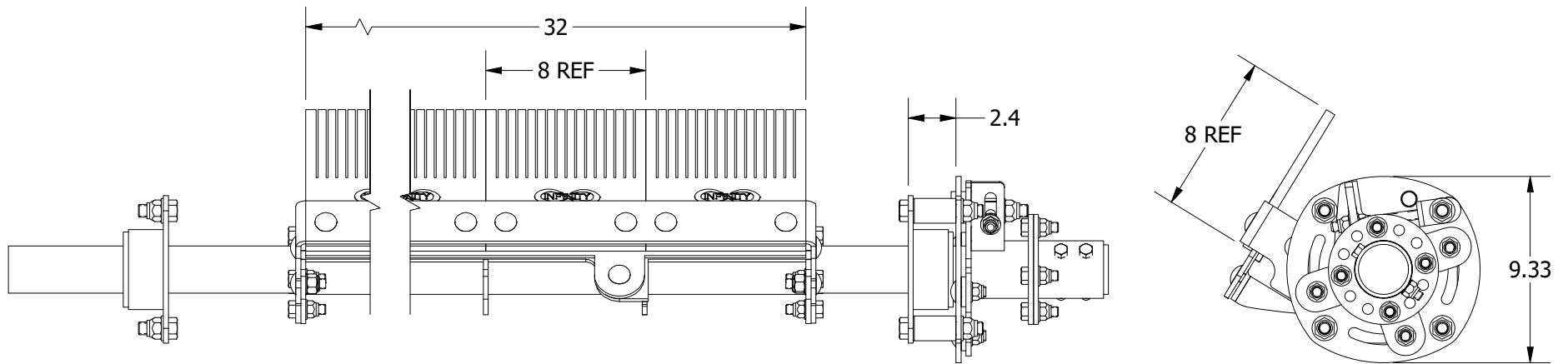
UNLESS OTHERWISE SPECIFIED		THIRD ANGLE PROJECTION 			
TOLERANCES: ZERO PLACE DECIMAL ` 0.060, TWO PLACE DECIMAL ` 0.045 THREE PLACE DECIMAL ` 0.010, ANGULAR ` 1°					
Title:		Reviewed:		Scale:	Date:
SCRAPER, 32" PRIMARY				1 : 9	2020.11.05
Rev	Revision Description	Mfg Approved:		Mfg Date:	Reference Drawings
		TO BE ASSIGNED			
Sheet:				1 of 2	Rev. A



17 GOERTZ AVE
STONY PLAIN
ALBERTA, CANADA
T7Z0H6



TOP VIEW



FRONT VIEW

SIDE VIEW

THE INFORMATION CONTAINED WITHIN THIS DOCUMENT(S) IS THE SOLE PROPERTY OF INFINITY BELTING LTD. NO REPRODUCTION IS AUTHORISED WITHOUT WRITTEN PERMISSION FROM INFINITY BELTING LTD.

ELECTRONIC FILES TO BE SUPPLIED

Client:	Design by:
Part #:	Drawn by:
P.O.:	DIMS:
	in

UNLESS OTHERWISE SPECIFIED		THIRD ANGLE PROJECTION
TOLERANCES: ZERO PLACE DECIMAL `0.060, TWO PLACE DECIMAL `0.045 THREE PLACE DECIMAL `0.010, ANGULAR `1°		
TITLE: DIMENSIONS, OVERALL		
Reviewed:	Scale:	Date:
Mfg Approved:	Mfg Date:	TO BE ASSIGNED

Rev	Revision Description	Date
Reference Drawings		
Sheet:	2 of 2	Rev. A



17 GOERTZ AVE
STONY PLAIN
ALBERTA, CANADA
T7Z0H6