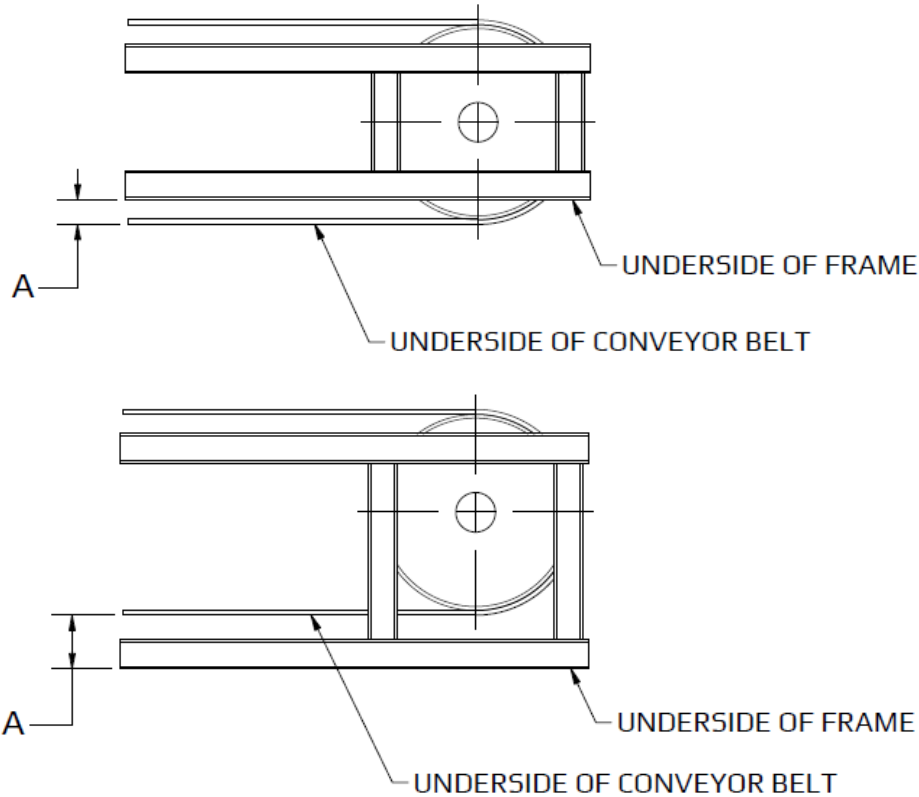


SCRAPER MOUNTING FORM – (SMF)

To assist with correct mounting of your Finger Scraper System and to enable appropriate Mounting Components to be supplied.

Please take and supply the measurement between the Underside of Frame and the Underside of Conveyor Belt (A).



Distance between Underside of Frame and Underside of Conveyor Belt

A = _____ inches

Infinity Belting Ltd

Address: 17 Goertz Ave, Stony Plain, Alberta, Canada, T7Z0H6

Email: info@infinitybelting.com

Ph: 1-780-963-3084