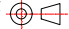


ISOMETRIC VIEWS

THE INFORMATION CONTAINED WITHIN THIS DOCUMENT(S) IS THE PROPERTY OF INFINITY BELTING LTD. NO REPRODUCTION IS AUTHORIZED WITHOUT WRITTEN PERMISSION FROM INFINITY BELTING LTD.

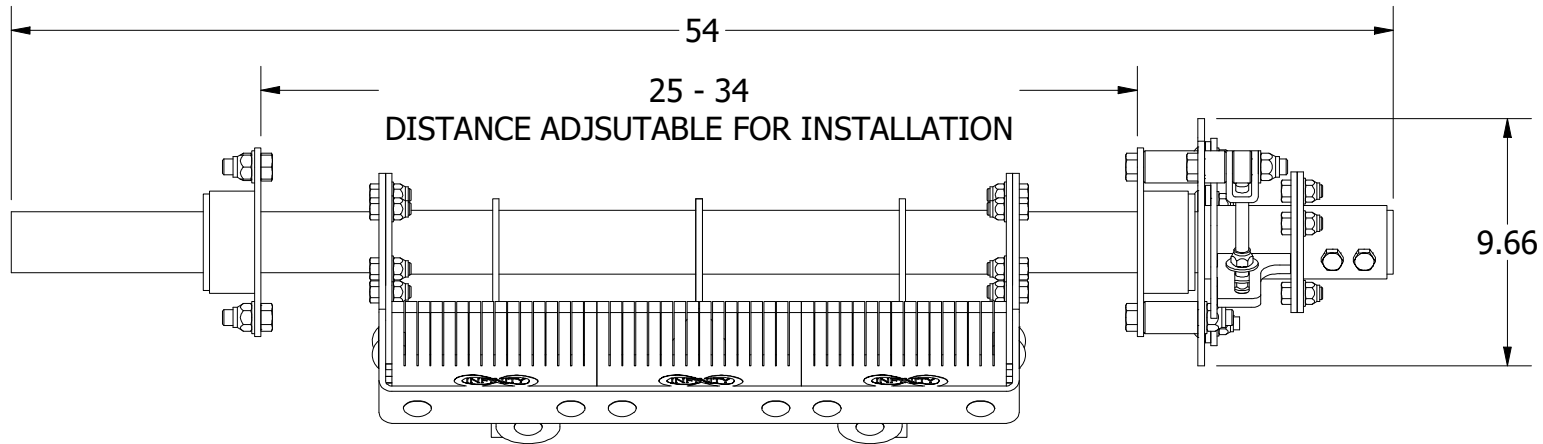
ELECTRONIC FILES TO BE SUPPLIED

|  |  |  |  |                      |                |
|--|--|--|--|----------------------|----------------|
| UNLESS OTHERWISE SPECIFIED   |  | THIRD ANGLE PROJECTION  |  |                      |                |
| TOLERANCES:<br>ZERO PLACE DECIMAL 0.060", TWO PLACE DECIMAL 0.040"<br>THREE PLACE DECIMAL 0.010"<br>ANGULAR 1° |  |  |  |                      |                |
| Client:  |  | Designed By:   |  | Title:               |                |
|  |  | SP   |  | SCRAPER, 24" PRIMARY |                |
| Part Number:   |  | Drawn By:  |  | Reviewed:            | Date:          |
| IBL-24-PS-A  |  | SP   |  | SF/AS                | 2022.06.17     |
| P.O.:  |  | DIM5:  |  | Mfg Approved:        | Mfg Date:      |
|  |  | in   |  | TBA                  | TO BE ASSIGNED |
|  |  |  |  | Sheet:               | REV            |
|  |  |  |  | 1 of 2               | B              |

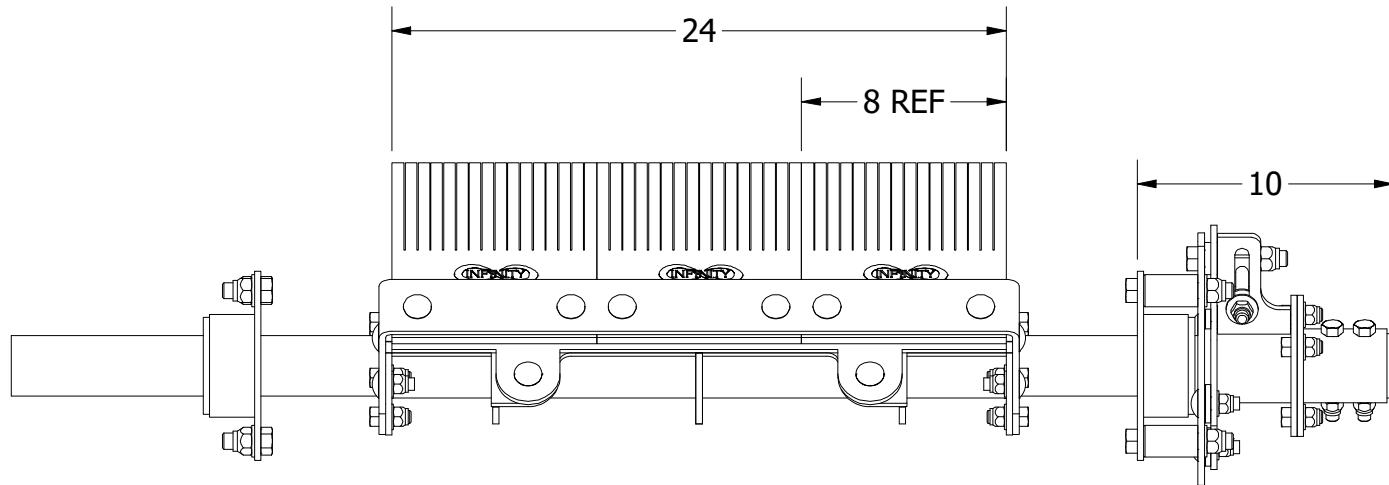


17 Goertz Ave  
Stony Plain, Alberta  
Canada T7Z0H6

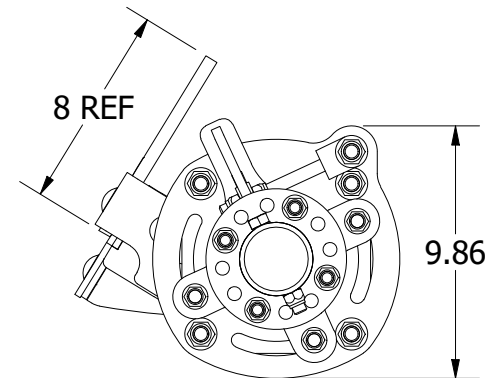
Reference Drawing:



**TOP VIEW**



**FRONT VIEW**



**SIDE VIEW**

THE INFORMATION CONTAINED WITHIN THIS DOCUMENT(S) IS THE PROPERTY OF INFINITY BELTING LTD. NO REPRODUCTION IS AUTHORIZED WITHOUT WRITTEN PERMISSION FROM INFINITY BELTING LTD.

**ELECTRONIC FILES TO BE SUPPLIED**



17 Goertz Ave  
Stony Plain, Alberta  
Canada T7Z0H6

Client:  
Part Number:  
P.O:

**IBL-24-PS-A**

Designed By:  
Drawn By:  
DIMS:

**SP**  
**SP**  
**in**

UNLESS OTHERWISE SPECIFIED THIRD ANGLE PROJECTION

TOLERANCES:  
ZERO PLACE DECIMAL 0.060", TWO PLACE DECIMAL 0.040"  
THREE PLACE DECIMAL 0.010"  
ANGULAR 1°

Title:  
Reviewed:  
Scale:  
Date:

**DIMENSIONS, OVERALL**  
**SF/AS**  
**1 : 7.5**  
**2022.06.17**

Mfg Approved:  
Mfg Date:

**TBA**  
**TO BE ASSIGNED**

|                    |               |     |          |
|--------------------|---------------|-----|----------|
|                    |               |     |          |
| Reference Drawing: |               |     |          |
| Sheet:             | <b>2 of 2</b> | REV | <b>B</b> |