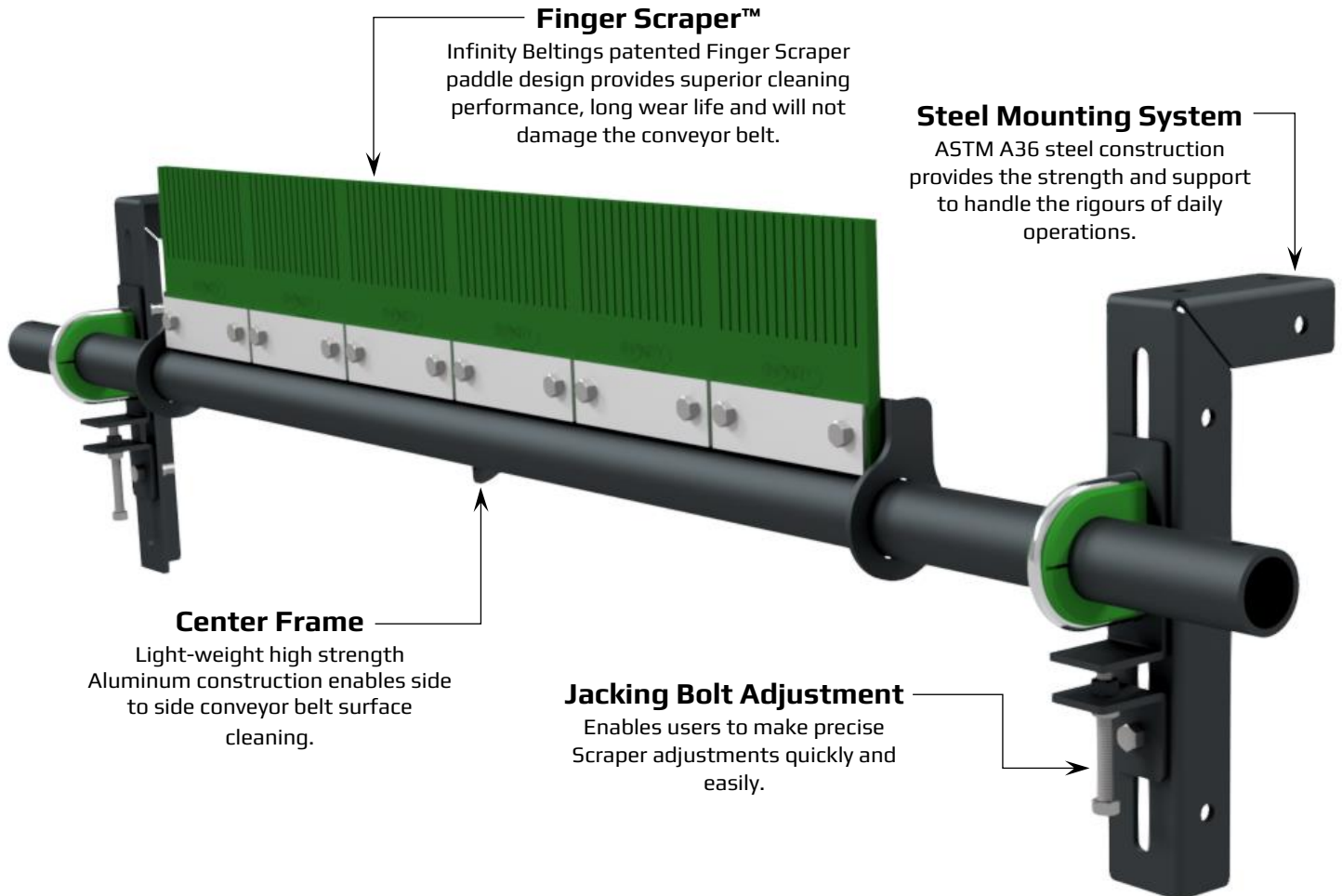


# SINGLE ROW SCRAPER - IBL5

## EXCEPTIONAL PERFORMANCE, LONG LASTING & DURABLE

Infinity Belting Ltd.'s Single Row Scraper has been designed to keep you running by eliminating material build up on the Conveyor Belt surface. The Single Row Scraper can be used in applications such as Agricultural, Bio-Mass, Forestry & anywhere that Bulk Handling Conveyor Systems exist.



## FEATURES AND BENEFITS:

- Patented Finger Scraper™ paddle flex and conform to the pulley lagging ensuring adaptable surface contact without excessive pressure having to be applied.
- The patented flexing, flicking action of the Finger Scraper™ paddles provide longer dwell time on the Conveyor Belt surface to ensure superior cleaning.
- Single Row Scrapers are available in lengths designed to suit your conveyor belt and its framing.
- Rudimentary, compact design enables successful installation in restricted, tight locations within your conveyor system.
- Rock solid Aluminum & Steel construction will give long term service in many applications.

## FOR ORDERS AND SALES:

**CALL: 1-780-963-3084 / Email: [info@infinitybelting.com](mailto:info@infinitybelting.com)**