


ISOMETRIC VIEWS

THE INFORMATION CONTAINED WITHIN THIS DOCUMENT(S) IS THE PROPERTY OF INFINITY BELTING LTD. NO REPRODUCTION IS AUTHORIZED WITHOUT WRITTEN PERMISSION FROM INFINITY BELTING LTD.

ELECTRONIC FILES TO BE SUPPLIED

Client:	Designed By:	Title:						
	SP	CLEANER, EBC PULLEY						
Part Number:	Drawn By:	Reviewed:	Scale:	Date:				
IBL-EBC-10-A	SP	AS/SF/DS	1 : 3.5	2022.04.13				
P.O.:	DIMS:	Mfg Approved:	Mfg Date:	Sheet:				
	inch	TBA	TBA	1 of 2				REV A

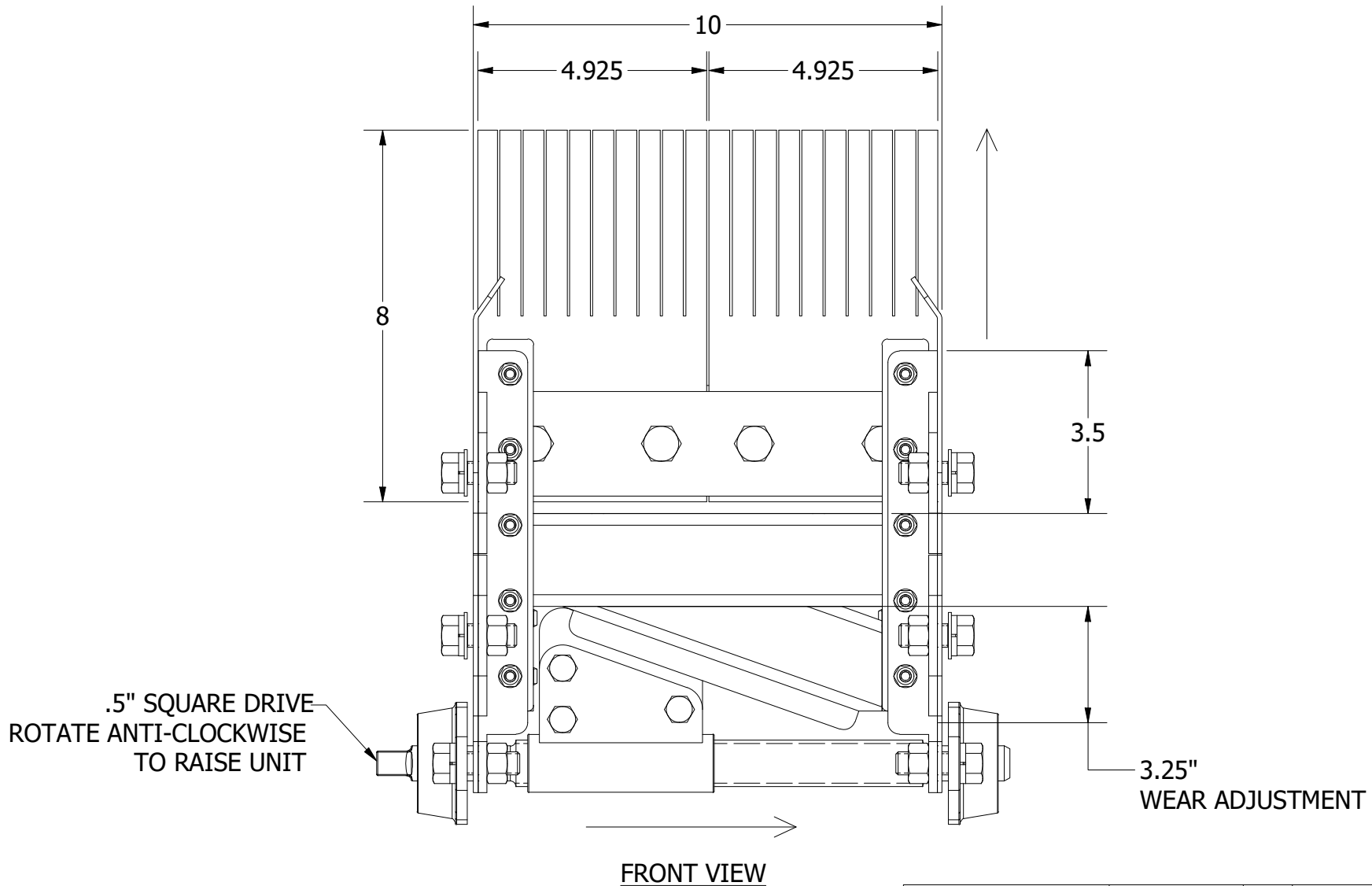
UNLESS OTHERWISE SPECIFIED THIRD ANGLE PROJECTION 

TOLERANCES:
ZERO PLACE DECIMAL 0.060", TWO PLACE DECIMAL 0.040"
THREE PLACE DECIMAL 0.010"
ANGULAR 1°



17 Goertz Ave
Stony Plain, Alberta
Canada T7Z0H6

Reference Drawing:



UNLESS OTHERWISE SPECIFIED		THIRD ANGLE PROJECTION			
TOLERANCES: ZERO PLACE DECIMAL 0.060", TWO PLACE DECIMAL 0.040" THREE PLACE DECIMAL 0.010" ANGULAR 1°					
ELECTRONIC FILES TO BE SUPPLIED					
Client:		Designed By:		Title:	
		SP		CLEANER, EBC PULLEY	
Part Number:		Drawn By:		Reviewed:	
IBL-EBC-10-A		SP		AS/SF/DS	
P.O.:		Mfg Approved:		Mfg Date:	
		TBA		TBA	
				Date:	
				2022.04.13	
				Reference Drawing:	
				Sheet:	
				2 of 2	
				REV	
				A	

THE INFORMATION CONTAINED WITHIN THIS DOCUMENT(S) IS THE PROPERTY OF INFINITY BELTING LTD. NO REPRODUCTION IS AUTHORIZED WITHOUT WRITTEN PERMISSION FROM INFINITY BELTING LTD.



17 Goertz Ave
Stony Plain, Alberta
Canada T7Z0H6