

ISOMETRIC VIEWS

THE INFORMATION CONTAINED WITHIN THIS DOCUMENT(S) IS THE SOLE PROPERTY OF INFINITY BELTING LTD. NO REPRODUCTION IS AUTHORISED WITHOUT WRITTEN PERMISSION FROM INFINITY BELTING LTD.

ELECTRONIC FILES TO BE SUPPLIED

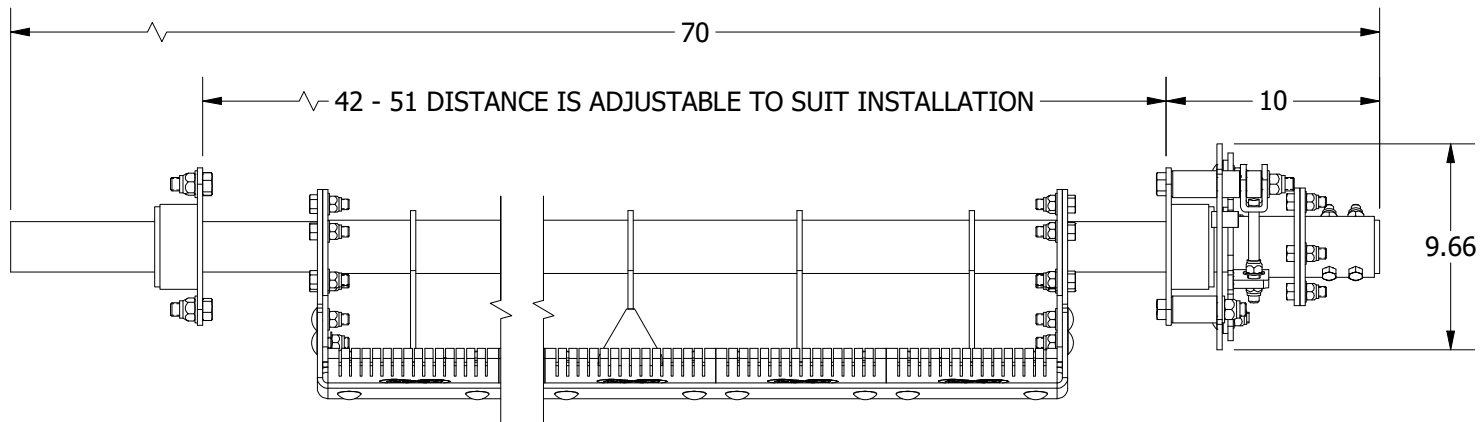
UNLESS OTHERWISE SPECIFIED THIRD ANGLE PROJECTION 

TOLERANCES:
ZERO PLACE DECIMAL ±0.060, TWO PLACE DECIMAL ±0.045
THREE PLACE DECIMAL ±0.010, ANGULAR ±1°

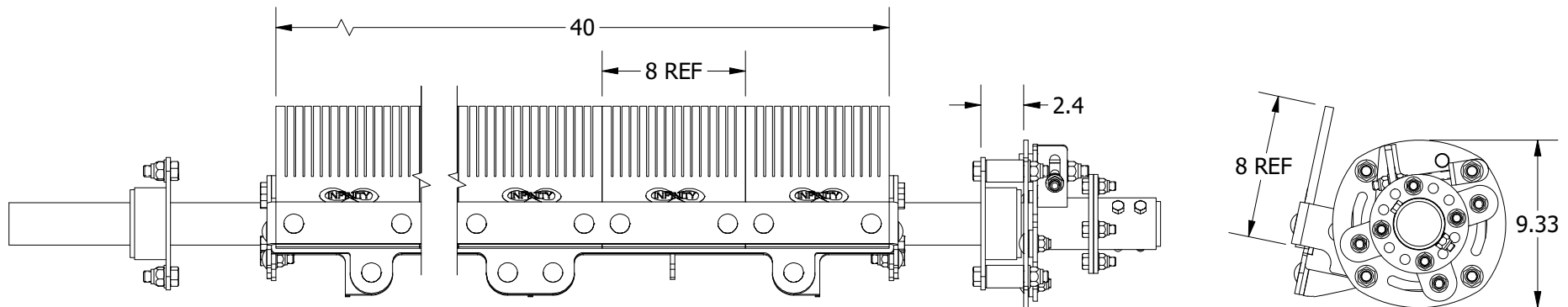
Client:	Design by: SP	Title: SCRAPER, 40" PRIMARY			Rev	Revision Description	Date
Part #: IBL-40-PS-A	Drawn by: SP	Reviewed:	Scale: 1 : 8	Date: 2020.12.06	Reference Drawings		
P.O.:	DIMS: in	Mfg Approved:	Mfg Date: TO BE ASSIGNED	Sheet: 1 of 2	Rev. A		



17 GOERTZ AVE
STONY PLAIN
ALBERTA, CANADA
T7Z0H6



TOP VIEW



FRONT VIEW

SIDE VIEW

THE INFORMATION CONTAINED WITHIN THIS DOCUMENT(S) IS THE SOLE PROPERTY OF INFINITY BELTING LTD. NO REPRODUCTION IS AUTHORISED WITHOUT WRITTEN PERMISSION FROM INFINITY BELTING LTD.

ELECTRONIC FILES TO BE SUPPLIED

Client:	Design by:
Part #:	Drawn by:
P.O.:	DIMS:
	in

UNLESS OTHERWISE SPECIFIED		THIRD ANGLE PROJECTION
TOLERANCES: ZERO PLACE DECIMAL ± 0.060 , TWO PLACE DECIMAL ± 0.045 THREE PLACE DECIMAL ± 0.010 , ANGULAR $\pm 1^\circ$		
Title:	DIMENSIONS, OVERALL	
Reviewed:	Scale:	Date:
Mfg Approved:	Mfg Date:	TO BE ASSIGNED

Rev	Revision Description	Date
Reference Drawings		
Sheet:	2 of 2	Rev. A



17 GOERTZ AVE
STONY PLAIN
ALBERTA, CANADA
T7Z0H6