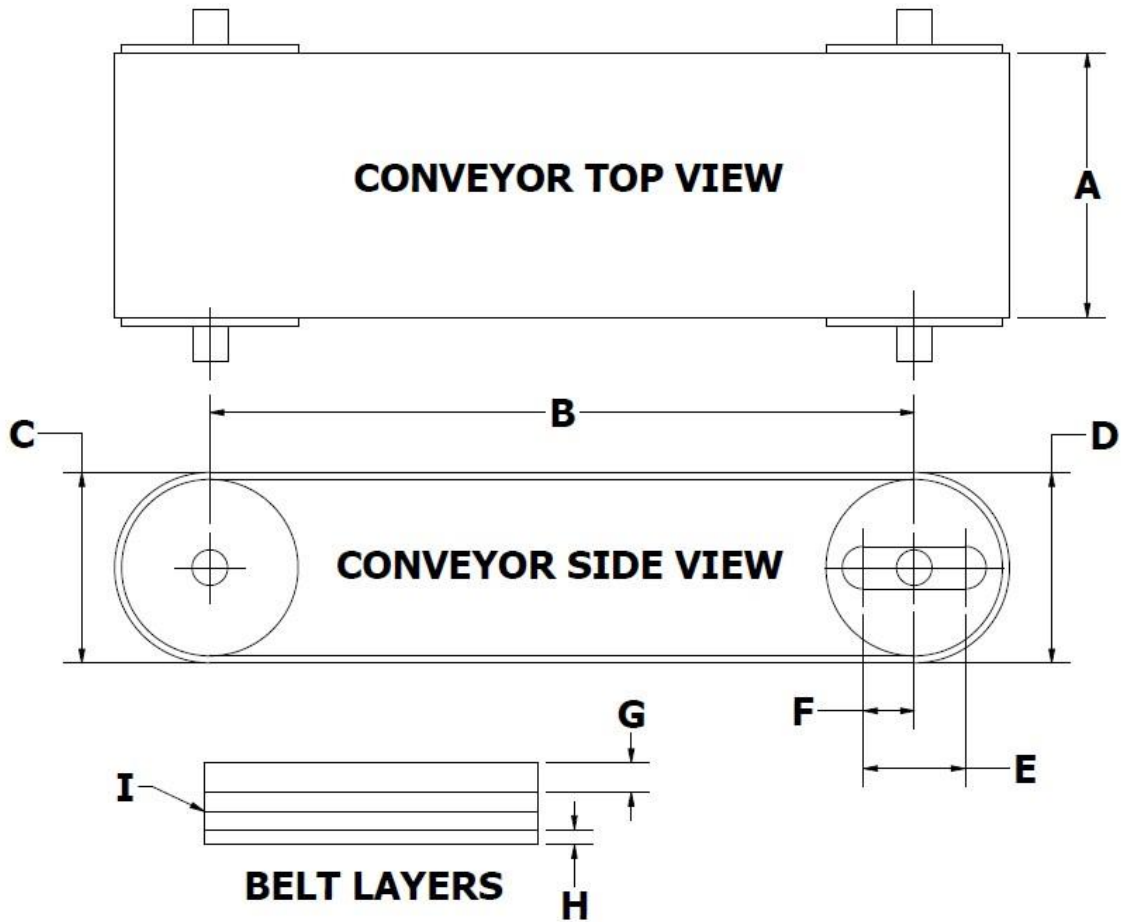


Conveyor Belt – Order Form



BELTING LTD

CUSTOMER:	UNIT No:	MATERIAL:	MAX LUMP SIZE:	MIN LUMP SIZE:



MEASUREMENTS REQUIRED		FEET / INCHES	M / CM
A	BELT WIDTH		
B	HEAD PULLEY SHAFT CENTER TO TAIL PULLEY SHAFT CENTER		
C	HEAD PULLEY INCLUDING LAGGING		
D	TAIL PULLEY INCLUDING LAGGING		
E	TAKE UP GAP TO ACHIEVE MAXIMUM BELT TENSION		
F	TAKE UP GAP TO ACHIEVE MINIMUM BELT TENSION		
G	TOP LAYER THICKNESS		
H	BOTTOM LAYER THICKNESS		
I	NUMBER OF PLY		

Total Belt Length required - **ft** **inches**

PO Number: _____ - **m** **cm**

For all your Conveyor Belt Supply and Installation needs call Infinity Belting Ltd:

+1(780) 963-3084